

CLF-25WX02

2023/07/20

Outline



The LVC (Linear Vibration Components) series achieves wideband and clear vibrations by suppressing higher-order resonances through its unique spring and damping structures. It also applies the principle of voice coil (VCM) and can produce sound by directly vibrating surfaces such as panels. This allows for the addition of speaker functionality while minimizing the impact on the design by mounting it on the back of the housing.

[Application Examples]

Controllers for gaming consoles, Massage devices

Specifications

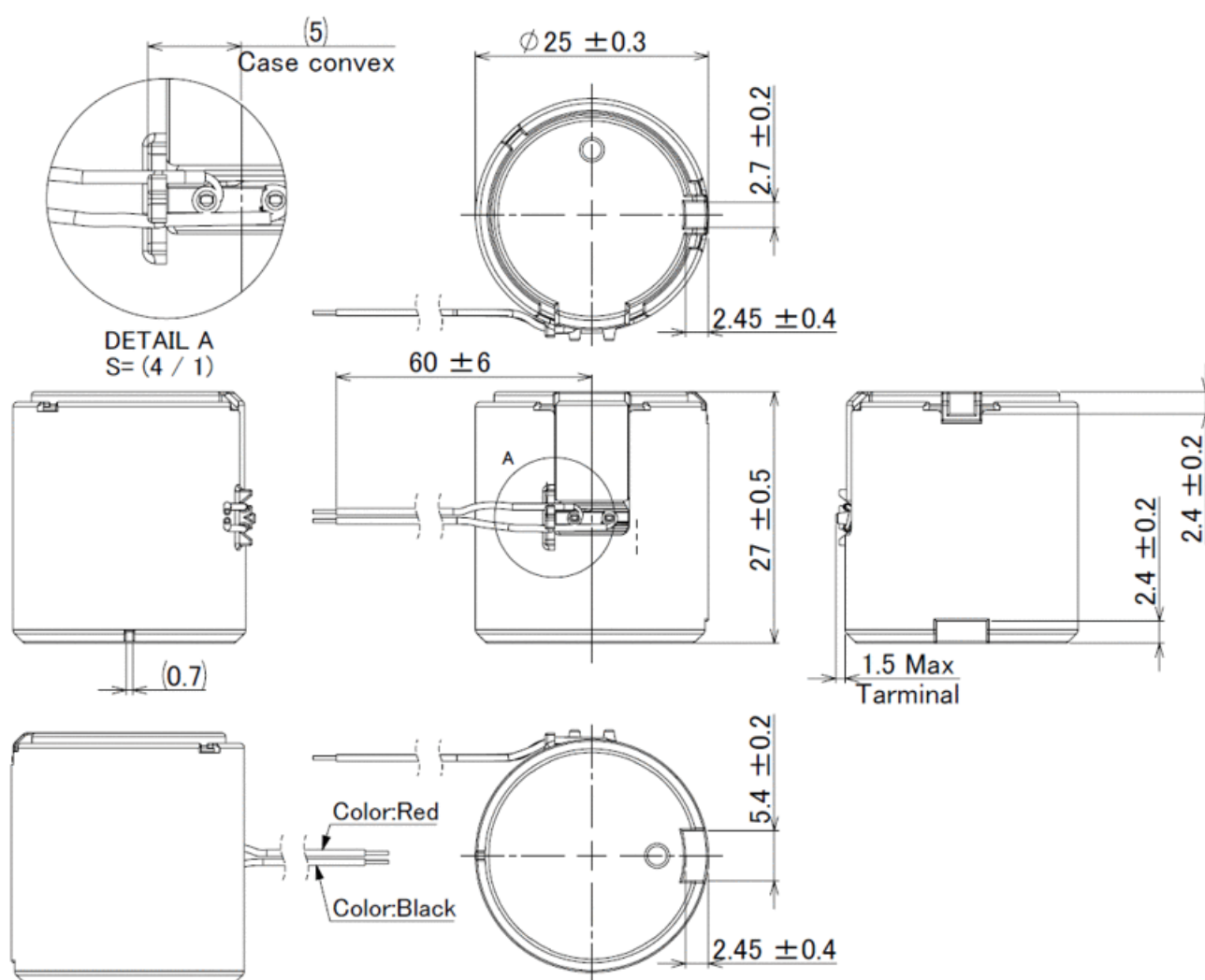
Type	LVC
Outline dimensions	Φ25.0mm×H27.0mm
Rated resonant frequency [Hz]	75
Rated acceleration [Gpp]	1.8Gpp(200g)
Rated input voltage [Vrms]	1.2
Rated current at 300Hz [mA rms]	260 MAX
Power consumption at 300Hz [mW]	360 MAX

CLF-25WX02

2023/07/20

Terminal resistance [Ω]	6.0
Rise time [msec]	≦80(0Gto0.9G)
Fall time [msec]	≦100(MAX Gto0.2G)

Dimensions



Electric Characteristics

CLF-25WX02

2023/07/20

