

MJ-A, MJ-C

Journal Bearing PTFE Liner Plain Type

2023/03/22

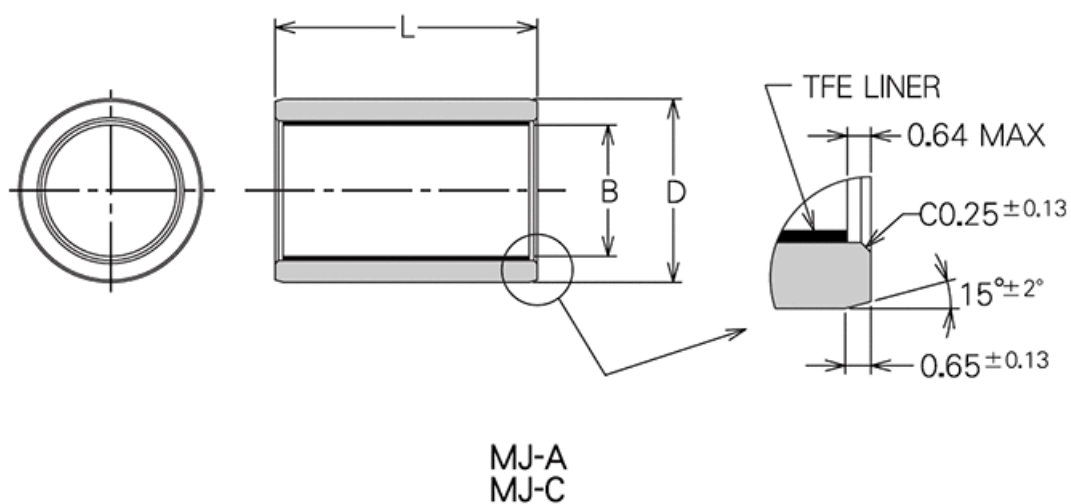
Feature of a Product

Self lubricating

Material

(P/N)	SLEEVE	LINER
MJ-A	Aluminium Alloy/Anodised or Alodined	TFE
MJ-C	410 Stainless Steel	TFE

Overall View

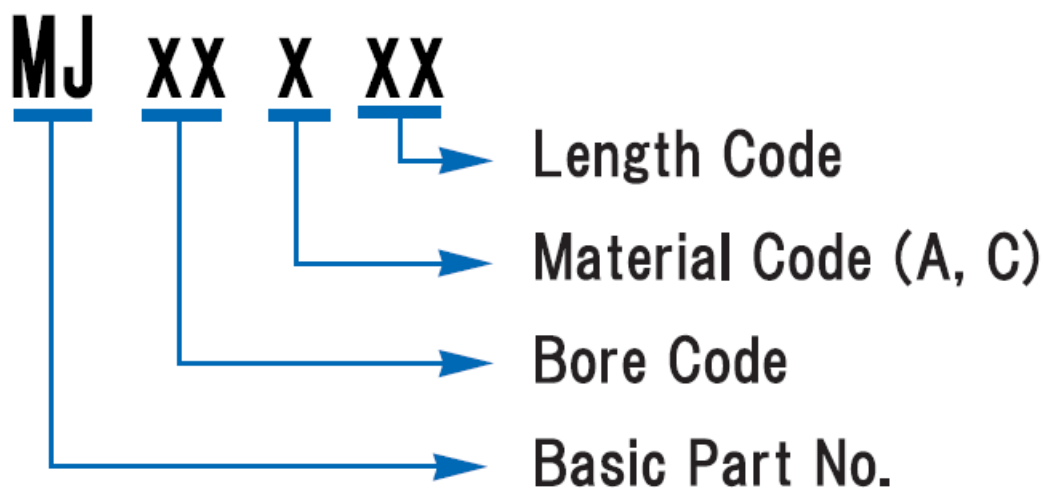


Part Number

MJ-A, MJ-C

Journal Bearing PTFE Liner Plain Type

2023/03/22



Dimension

Dimensions in mm

Part No.	$\phi B * 1 0/-0.025$	$\phi D * 2$	Approx. Weight (Aluminium) [g]	Approx. Weight (Stainless Steel) [g]	L5 ± 0.2	L6 ± 0.2
MJ06	6.035	10	0.14×L	0.40×L	5	6
MJ08	8.035	11	0.13×L	0.35×L	5	6
MJ09	9.035	13	0.20×L	0.54×L	5	6
MJ10	10.035	14	0.21×L	0.59×L	5	6
MJ12	12.035	16	0.25×L	0.69×L	5	6
MJ14	14.035	18	0.28×L	0.79×L	5	6
MJ16	16.035	20	0.32×L	0.89×L	5	6
MJ18	18.035	22	0.35×L	0.98×L	5	6
MJ20	20.035	24	0.39×L	1.08×L	5	6
MJ22	22.035	27	0.54×L	1.51×L	5	6
MJ25	25.035	30	0.61×L	1.69×L	5	6
MJ28	28.035	33	0.67×L	1.87×L		
MJ32	32.035	37	0.76×L	2.12×L		
MJ35	35.035	40	0.82×L	2.30×L		

MJ-A, MJ-C

Journal Bearing PTFE Liner Plain Type

2023/03/22

MJ38	38.035	45	1.28×L	3.57×L		
MJ40	40.035	48	1.55×L	4.33×L		
MJ45	45.035	51	1.26×L	3.54×L		
MJ50	50.035	57	1.64×L	4.60×L		

Part No.	L7 ±0.2	L8 ±0.2	L9 ±0.2	L10 ±0.2	L12 ±0.2	L14 ±0.2	L16 ±0.2
MJ06	7	8	9	10			
MJ08	7	8	9	10	12	14	
MJ09	7	8	9	10	12	14	16
MJ10	7	8	9	10	12	14	16
MJ12	7	8	9	10	12	14	16
MJ14	7	8	9	10	12	14	16
MJ16	7	8	9	10	12	14	16
MJ18	7	8	9	10	12	14	16
MJ20	7	8	9	10	12	14	16
MJ22	7	8	9	10	12	14	16
MJ25	7	8	9	10	12	14	16
MJ28		8	9	10	12	14	16
MJ32		8	9	10	12	14	16
MJ35				10	12	14	16
MJ38				10	12	14	16
MJ40							16
MJ45							16
MJ50							16

Part No.	L18 ±0.2	L20 ±0.2	L22 ±0.3	L24 ±0.3	L26 ±0.3	L28 ±0.3	L30 ±0.3
MJ06							
MJ08							
MJ09	18	20					
MJ10	18	20	22	24			
MJ12	18	20	22	24	26		
MJ14	18	20	22	24	26	28	30
MJ16	18	20	22	24	26	28	30
MJ18	18	20	22	24	26	28	30
MJ20	18	20	22	24	26	28	30
MJ22	18	20	22	24	26	28	30
MJ25	18	20	22	24	26	28	30
MJ28	18	20	22	24	26	28	30
MJ32	18	20	22	24	26	28	30

MJ-A, MJ-C

Journal Bearing PTFE Liner Plain Type

2023/03/22

Part No.	L32 ±0.3	L34 ±0.3	L36 ±0.3	L38 ±0.3	L40 ±0.3	L42 ±0.3	L44 ±0.3
MJ35	18	20	22	24	26	28	30
MJ38	18	20	22	24	26	28	30
MJ40	18	20	22	24	26	28	30
MJ45	18	20	22	24	26	28	30
MJ50	18	20	22	24	26	28	30

Part No.	L32 ±0.3	L34 ±0.3	L36 ±0.3	L38 ±0.3	L40 ±0.3	L42 ±0.3	L44 ±0.3
MJ06							
MJ08							
MJ09							
MJ10							
MJ12							
MJ14							
MJ16	32	34					
MJ18	32	34	36				
MJ20	32	34	36	38			
MJ22	32	34	36	38	40	42	44
MJ25	32	34	36	38	40	42	44
MJ28	32	34	36	38	40	42	44
MJ32	32	34	36	38	40	42	44
MJ35	32	34	36	38	40	42	44
MJ38	32	34	36	38	40	42	44
MJ40	32	34	36	38	40	42	44
MJ45	32	34	36	38	40	42	44
MJ50	32	34	36	38	40	42	44

Part No.	L46 ±0.3	L48 ±0.3	L50 ±0.3	L52 ±0.5	L54 ±0.5	L56 ±0.5	L58 ±0.5
MJ06							
MJ08							
MJ09							
MJ10							
MJ12							
MJ14							
MJ16							
MJ18							
MJ20							
MJ22							
MJ25	46	48	50				
MJ28	46	48	50	52	54	56	58

MJ-A, MJ-C

Journal Bearing PTFE Liner Plain Type

2023/03/22

MJ28	46	48	50	52	54	56	58
MJ32	46	48	50	52	54	56	58
MJ35	46	48	50	52	54	56	58
MJ38	46	48	50	52	54	56	58
MJ40	46	48	50	52	54	56	58
MJ45	46	48	50	52	54	56	58
MJ50	46	48	50	52	54	56	58

Part No.	L60 ±0.5	L62 ±0.5	L64 ±0.5	L66 ±0.5	L68 ±0.5	L70 ±0.5	L72 ±0.5
MJ06							
MJ08							
MJ09							
MJ10							
MJ12							
MJ14							
MJ16							
MJ18							
MJ20							
MJ22							
MJ25							
MJ28	60						
MJ32	60						
MJ35	60	62	64	66	68	70	
MJ38	60	62	64	66	68	70	
MJ40	60	62	64	66	68	70	72
MJ45	60	62	64	66	68	70	72
MJ50	60	62	64	66	68	70	72

Part No.	L74 ±0.5	L76 ±0.5	L78 ±0.5	L80 ±0.5
MJ06				
MJ08				
MJ09				
MJ10				
MJ12				
MJ14				
MJ16				
MJ18				
MJ20				
MJ22				

MJ-A, MJ-C

Journal Bearing PTFE Liner Plain Type

2023/03/22

MJ25				
MJ28				
MJ32				
MJ35				
MJ38				
MJ40	74	76	78	80
MJ45	74	76	78	80
MJ50	74	76	78	80

Notes

*1 Tolerance Aluminium: ± 0.013 Stainless: 0 to -0.013

1. PTFE liner permanently bonded to sleeve I.D.
2. Made to order only.

*Please consult MinebeaMitsumi for availability of bearings in this series.