

MJF-A, MJF-C

Journal Bearing PTFE Liner Flange Type

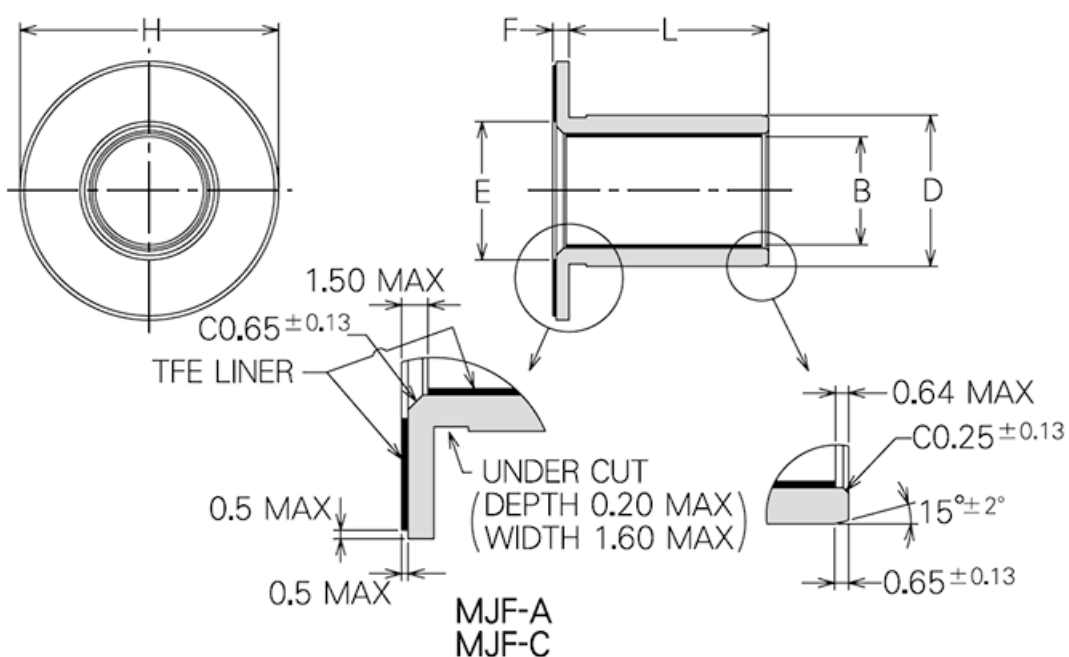
2023/03/22

Feature of a Product

Self lubricating

Material

| (P/N) | SLEEVE | LINER |
|-------|--|-------|
| MJF-A | Aluminium Alloy/ Anodised or Alodined | TFE |
| MJF-C | 410 Stainless Steel | TFE |

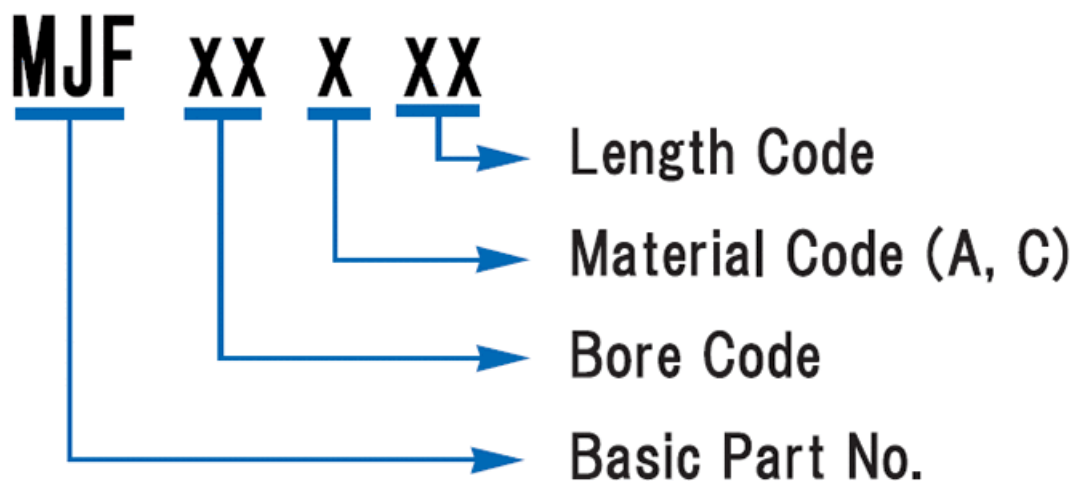
Overall View

MJF-A, MJF-C

Journal Bearing PTFE Liner Flange Type

2023/03/22

Part Number



Dimension

Dimensions in mm

| Part No. | $\phi B * 1.0 / -0.025$ | $\phi D * 2$ | F 0/-0.13 | ϕH 0/-0.5 | ϕE 0/-0.5 | Approx. Weight (Aluminium) [g] |
|----------|-------------------------|--------------|-----------|-----------------|-----------------|-----------------------------------|
| MJ06 | 6.035 | 10 | 1.5 | 19 | 8.5 | $1.08 + 0.14 \times L$ |
| MJ08 | 8.035 | 11 | 1.5 | 20 | 10.5 | $1.11 + 0.13 \times L$ |
| MJ09 | 9.035 | 13 | 1.5 | 22 | 11.5 | $1.33 + 0.20 \times L$ |
| MJ10 | 10.035 | 14 | 1.5 | 24 | 12.5 | $1.57 + 0.21 \times L$ |
| MJ12 | 12.035 | 16 | 1.5 | 25 | 14.5 | $1.59 + 0.25 \times L$ |
| MJ14 | 14.035 | 18 | 1.5 | 28 | 16.5 | $1.94 + 0.28 \times L$ |
| MJ16 | 16.035 | 20 | 1.5 | 32 | 18.5 | $2.53 + 0.32 \times L$ |
| MJ18 | 18.035 | 22 | 1.5 | 35 | 20.5 | $2.97 + 0.35 \times L$ |
| MJ20 | 20.035 | 24 | 1.5 | 38 | 22.5 | $3.44 + 0.39 \times L$ |
| MJ22 | 22.035 | 27 | 1.5 | 41 | 24.5 | $3.95 + 0.54 \times L$ |
| MJ25 | 25.035 | 30 | 1.5 | 45 | 27.5 | $4.62 + 0.61 \times L$ |

MJF-A, MJF-C

Journal Bearing PTFE Liner Flange Type

2023/03/22

| Part No. | Approx. Weight (g) | Bore (mm) | Inner Dia. (mm) | Outer Dia. (mm) | Width (mm) | Approx. Weight (g) |
|----------|--------------------|-----------|-----------------|-----------------|------------|--------------------|
| MJ28 | 28.035 | 33 | 2.5 | 48 | 30.5 | 8.35+0.67×L |
| MJ32 | 32.035 | 37 | 2.5 | 50 | 34.5 | 8.11+0.76×L |
| MJ35 | 35.035 | 40 | 2.5 | 54 | 37.5 | 9.29+0.82×L |
| MJ38 | 38.035 | 45 | 2.5 | 57 | 40.5 | 9.91+1.28×L |
| MJ40 | 40.035 | 48 | 2.5 | 60 | 42.5 | 10.99+1.55×L |
| MJ45 | 45.035 | 51 | 2.5 | 64 | 47.5 | 11.37+1.26×L |
| MJ50 | 50.035 | 57 | 2.5 | 70 | 52.5 | 13.18+1.64×L |

| Part No. | Approx. Weight (Stainless Steel) [g] | L5 ±0.2 | L6 ±0.2 | L7 ±0.2 | L8 ±0.2 | L9 ±0.2 | L10 ±0.2 |
|----------|--------------------------------------|---------|---------|---------|---------|---------|----------|
| MJ06 | 3.01+0.40×L | 5 | 6 | 7 | 8 | 9 | 10 |
| MJ08 | 3.11+0.35×L | 5 | 6 | 7 | 8 | 9 | 10 |
| MJ09 | 3.73+0.54×L | 5 | 6 | 7 | 8 | 9 | 10 |
| MJ10 | 4.40+0.59×L | 5 | 6 | 7 | 8 | 9 | 10 |
| MJ12 | 4.45+0.69×L | 5 | 6 | 7 | 8 | 9 | 10 |
| MJ14 | 5.43+0.79×L | 5 | 6 | 7 | 8 | 9 | 10 |
| MJ16 | 7.10+0.89×L | 5 | 6 | 7 | 8 | 9 | 10 |
| MJ18 | 8.33+0.98×L | 5 | 6 | 7 | 8 | 9 | 10 |
| MJ20 | 9.65+1.08×L | 5 | 6 | 7 | 8 | 9 | 10 |
| MJ22 | 11.06+1.51×L | 5 | 6 | 7 | 8 | 9 | 10 |
| MJ25 | 12.94+1.69×L | 5 | 6 | 7 | 8 | 9 | 10 |
| MJ28 | 23.40+1.87×L | | | | 8 | 9 | 10 |
| MJ32 | 22.72+2.12×L | | | | 8 | 9 | 10 |
| MJ35 | 26.03+2.30×L | | | | | | 10 |
| MJ38 | 27.79+3.57×L | | | | | | 10 |
| MJ40 | 30.79+4.33×L | | | | | | |
| MJ45 | 31.88+3.54×L | | | | | | |
| MJ50 | 36.94+4.60×L | | | | | | |

| Part No. | L12 ±0.2 | L14 ±0.2 | L16 ±0.2 | L18 ±0.2 | L20 ±0.2 | L22 ±0.3 | L24 ±0.3 |
|----------|----------|----------|----------|----------|----------|----------|----------|
| MJ06 | | | | | | | |
| MJ08 | 12 | 14 | | | | | |
| MJ09 | 12 | 14 | 16 | 18 | 20 | | |
| MJ10 | 12 | 14 | 16 | 18 | 20 | 22 | 24 |
| MJ12 | 12 | 14 | 16 | 18 | 20 | 22 | 24 |
| MJ14 | 12 | 14 | 16 | 18 | 20 | 22 | 24 |
| MJ16 | 12 | 14 | 16 | 18 | 20 | 22 | 24 |
| MJ18 | 12 | 14 | 16 | 18 | 20 | 22 | 24 |
| MJ20 | 12 | 14 | 16 | 18 | 20 | 22 | 24 |

MJF-A, MJF-C

Journal Bearing PTFE Liner Flange Type

2023/03/22

| Part No. | L12 ±0.3 | L14 ±0.3 | L16 ±0.3 | L18 ±0.3 | L20 ±0.3 | L22 ±0.3 | L24 ±0.3 |
|----------|----------|----------|----------|----------|----------|----------|----------|
| MJ22 | 12 | 14 | 16 | 18 | 20 | 22 | 24 |
| MJ25 | 12 | 14 | 16 | 18 | 20 | 22 | 24 |
| MJ28 | 12 | 14 | 16 | 18 | 20 | 22 | 24 |
| MJ32 | 12 | 14 | 16 | 18 | 20 | 22 | 24 |
| MJ35 | 12 | 14 | 16 | 18 | 20 | 22 | 24 |
| MJ38 | 12 | 14 | 16 | 18 | 20 | 22 | 24 |
| MJ40 | | | 16 | 18 | 20 | 22 | 24 |
| MJ45 | | | 16 | 18 | 20 | 22 | 24 |
| MJ50 | | | 16 | 18 | 20 | 22 | 24 |

| Part No. | L26 ±0.3 | L28 ±0.3 | L30 ±0.3 | L32 ±0.3 | L34 ±0.3 | L36 ±0.3 | L38 ±0.3 |
|----------|----------|----------|----------|----------|----------|----------|----------|
| MJ06 | | | | | | | |
| MJ08 | | | | | | | |
| MJ09 | | | | | | | |
| MJ10 | | | | | | | |
| MJ12 | 26 | | | | | | |
| MJ14 | 26 | 28 | 30 | | | | |
| MJ16 | 26 | 28 | 30 | 32 | 34 | | |
| MJ18 | 26 | 28 | 30 | 32 | 34 | 36 | |
| MJ20 | 26 | 28 | 30 | 32 | 34 | 36 | 38 |
| MJ22 | 26 | 28 | 30 | 32 | 34 | 36 | 38 |
| MJ25 | 26 | 28 | 30 | 32 | 34 | 36 | 38 |
| MJ28 | 26 | 28 | 30 | 32 | 34 | 36 | 38 |
| MJ32 | 26 | 28 | 30 | 32 | 34 | 36 | 38 |
| MJ35 | 26 | 28 | 30 | 32 | 34 | 36 | 38 |
| MJ38 | 26 | 28 | 30 | 32 | 34 | 36 | 38 |
| MJ40 | 26 | 28 | 30 | 32 | 34 | 36 | 38 |
| MJ45 | 26 | 28 | 30 | 32 | 34 | 36 | 38 |
| MJ50 | 26 | 28 | 30 | 32 | 34 | 36 | 38 |

| Part No. | L40 ±0.3 | L42 ±0.3 | L44 ±0.3 | L46 ±0.3 | L48 ±0.3 | L50 ±0.3 | L52 ±0.5 |
|----------|----------|----------|----------|----------|----------|----------|----------|
| MJ06 | | | | | | | |
| MJ08 | | | | | | | |
| MJ09 | | | | | | | |
| MJ10 | | | | | | | |
| MJ12 | | | | | | | |
| MJ14 | | | | | | | |
| MJ16 | | | | | | | |

MJF-A, MJF-C

Journal Bearing PTFE Liner Flange Type

2023/03/22

| | | | | | | | |
|------|----|----|----|----|----|----|----|
| MJ18 | | | | | | | |
| MJ20 | | | | | | | |
| MJ22 | 40 | 42 | 44 | | | | |
| MJ25 | 40 | 42 | 44 | 46 | 48 | 50 | |
| MJ28 | 40 | 42 | 44 | 46 | 48 | 50 | 52 |
| MJ32 | 40 | 42 | 44 | 46 | 48 | 50 | 52 |
| MJ35 | 40 | 42 | 44 | 46 | 48 | 50 | 52 |
| MJ38 | 40 | 42 | 44 | 46 | 48 | 50 | 52 |
| MJ40 | 40 | 42 | 44 | 46 | 48 | 50 | 52 |
| MJ45 | 40 | 42 | 44 | 46 | 48 | 50 | 52 |
| MJ50 | 40 | 42 | 44 | 46 | 48 | 50 | 52 |

| Part No. | L54 ±0.5 | L56 ±0.5 | L58 ±0.5 | L60 ±0.5 | L62 ±0.5 | L64 ±0.5 | L66 ±0.5 |
|----------|----------|----------|----------|----------|----------|----------|----------|
| MJ06 | | | | | | | |
| MJ08 | | | | | | | |
| MJ09 | | | | | | | |
| MJ10 | | | | | | | |
| MJ12 | | | | | | | |
| MJ14 | | | | | | | |
| MJ16 | | | | | | | |
| MJ18 | | | | | | | |
| MJ20 | | | | | | | |
| MJ22 | | | | | | | |
| MJ25 | | | | | | | |
| MJ28 | 54 | 56 | 58 | 60 | | | |
| MJ32 | 54 | 56 | 58 | 60 | | | |
| MJ35 | 54 | 56 | 58 | 60 | 62 | 64 | 66 |
| MJ38 | 54 | 56 | 58 | 60 | 62 | 64 | 66 |
| MJ40 | 54 | 56 | 58 | 60 | 62 | 64 | 66 |
| MJ45 | 54 | 56 | 58 | 60 | 62 | 64 | 66 |
| MJ50 | 54 | 56 | 58 | 60 | 62 | 64 | 66 |

| Part No. | L68 ±0.5 | L70 ±0.5 | L72 ±0.5 | L74 ±0.5 | L76 ±0.5 | L78 ±0.5 | L80 ±0.5 |
|----------|----------|----------|----------|----------|----------|----------|----------|
| MJ06 | | | | | | | |
| MJ08 | | | | | | | |
| MJ09 | | | | | | | |
| MJ10 | | | | | | | |
| MJ12 | | | | | | | |
| MJ14 | | | | | | | |

MJF-A, MJF-C

Journal Bearing PTFE Liner Flange Type

2023/03/22

| | | | | | | | |
|------|----|----|----|----|----|----|----|
| MJ16 | | | | | | | |
| MJ18 | | | | | | | |
| MJ20 | | | | | | | |
| MJ22 | | | | | | | |
| MJ25 | | | | | | | |
| MJ28 | | | | | | | |
| MJ32 | | | | | | | |
| MJ35 | 68 | 70 | | | | | |
| MJ38 | 68 | 70 | | | | | |
| MJ40 | 68 | 70 | 72 | 74 | 76 | 78 | 80 |
| MJ45 | 68 | 70 | 72 | 74 | 76 | 78 | 80 |
| MJ50 | 68 | 70 | 72 | 74 | 76 | 78 | 80 |

Notes

*1 Tolerance

Aluminium: ± 0.013

Stainless: 0 to -0.013

1. PTFE liner permanently bonded to sleeve I.D.
2. Made to order only.

*Please consult MinebeaMitsumi for availability of bearings in this series.