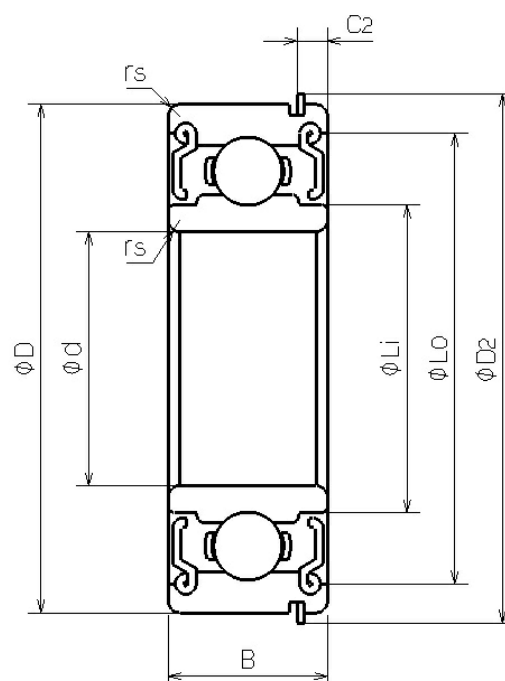


608ZZNRSD06

2023/03/22

Outline



NMB Parts No.	608ZZNRSD06
Metric or Inch	Metric
ISO/JIS	608ZZNR
Material of Rings	Chromium Steel
Ring Type	[Radial] Stop ring
Inner Diameter (d) [mm]	8.000
Outer Diameter (D) [mm]	22.000
Width	

608ZZNRSD06

2023/03/22

(B) [mm]	7.000
Chamfer (rs min) [mm]	0.300
Stop Ring Diameter (D2) [mm]	25.100
Stop Ring Location (C2) [mm]	2.300
Reference Diameter Outer (Lo) [mm]	19.100
Reference Diameter Inner (Li) [mm]	10.800
Ball Size (DW) [mm]	3.9688
Ball Complement (Z)	7
Dynamic Load Rating (Cr) [N]	3297
Static Load Rating (Cor) [N]	1368
Inner Diameter (d) [in]	0.3150
Outer Diameter (D) [in]	0.8661