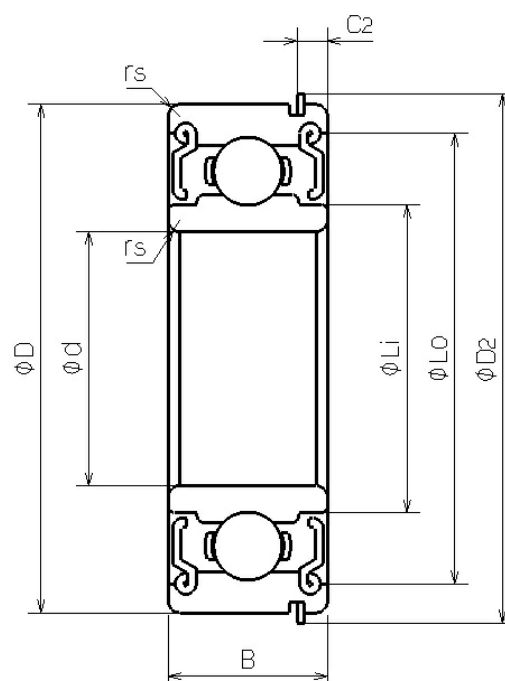


626ZZNR

2023/03/22

Outline



NMB Parts No.	626ZZNR
Metric or Inch	Metric
ISO/JIS	626ZZNR
Material of Rings	Chromium Steel
Ring Type	[Radial] Stop ring
Inner Diameter (d) [mm]	6.000
Outer Diameter (D) [mm]	19.000
Width	

626ZZNR

2023/03/22

(B) [mm]	6.000
Chamfer (rs min) [mm]	0.300
Stop Ring Diameter (D2) [mm]	22.100
Stop Ring Location (C2) [mm]	1.500
Reference Diameter Outer (Lo) [mm]	16.680
Reference Diameter Inner (Li) [mm]	9.200
Ball Size (DW) [mm]	3.5000
Ball Complement (Z)	7
Dynamic Load Rating (Cr) [N]	2614
Static Load Rating (Cor) [N]	1053
Inner Diameter (d) [in]	0.2362
Outer Diameter (D) [in]	0.7480
Stop Ring Diameter (D2) [in]	0.870
Stop Ring Location (C2) [in]	0.059