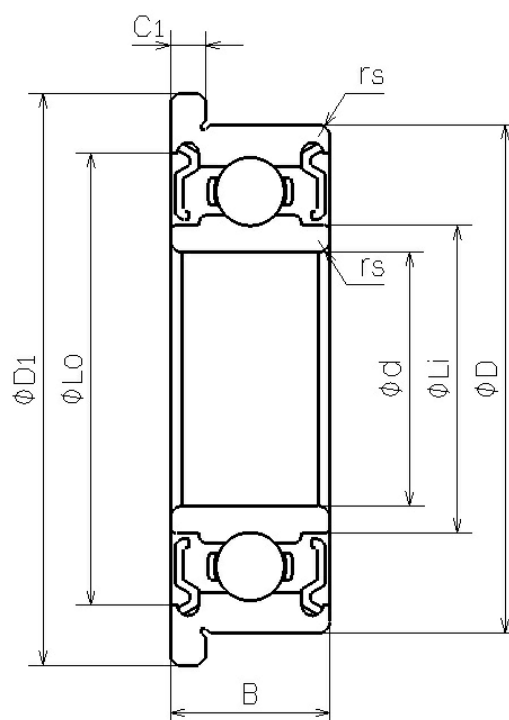


DDLDF-1480ZZ

2023/03/22

Outline



| | |
|-------------------------------|------------------|
| NMB Parts No. | DDLDF-1480ZZ |
| Metric or Inch | Metric |
| ISO/JIS | - |
| Material of Rings | Stainless Steel |
| Ring Type | [Radial] Flanged |
| Inner Diameter (d) [mm] | 8.000 |
| Outer Diameter (D) [mm] | 14.000 |
| Width | |

DDLDF-1480ZZ

2023/03/22

| | |
|------------------------------------------|--------|
| (B) [mm] | 4.000 |
| Chamfer (rs min) [mm] | 0.150 |
| Flange Diameter (D1) [mm] | 15.600 |
| Flange Width (C1) [mm] | 0.800 |
| Reference Diameter Outer (Lo) [mm] | 12.550 |
| Reference Diameter Inner (Li) [mm] | 9.900 |
| Ball Size (DW) [mm] | 1.5875 |
| Ball Complement (Z) | 10 |
| Dynamic Load Rating (Cr) [N] | 819 |
| Static Load Rating (Cor) [N] | 386 |
| Inner Diameter (d) [in] | 0.3150 |
| Outer Diameter (D) [in] | 0.5512 |
| Flange Diameter (D1) [in] | 0.6142 |
| Flange Width (C1) [in] | 0.0315 |