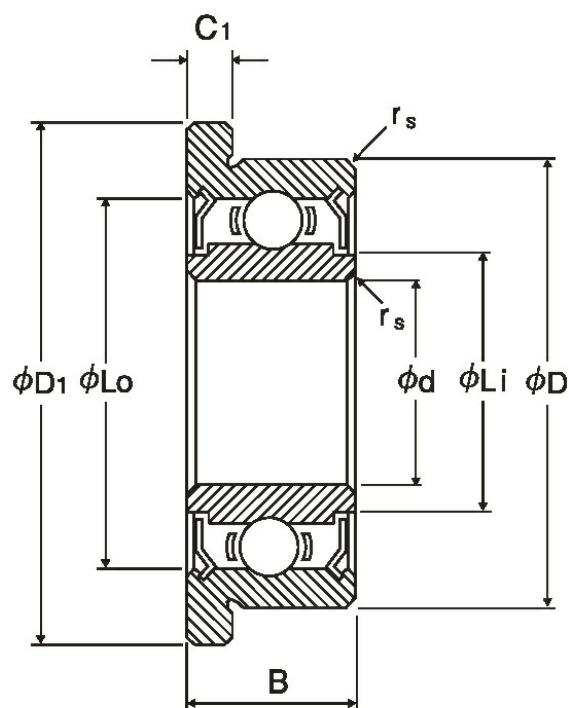


DDLDF-1680HH

2021/09/13

Outline



NMB Parts No.	DDLDF-1680HH
Metric or Inch	Metric
ISO/JIS	-
Material of Rings	Stainless Steel
Ring Type	[Radial]Flanged
Inner Diameter (d) [mm]	8.000
Outer Diameter (D) [mm]	16.000
Width (B) [mm]	5.000
Chamfer (rs min) [mm]	0.200
Flange Diameter (D1)	16.000

DDLDF-1680HH

2021/09/13

(D1) [mm] Flange Width	18.000
(C1) [mm] Reference Diameter Outer	1.100
(Lo) [mm] Reference Diameter Inner	14.230
(Li) [mm] Ball Size	9.680
(DW) [mm] Ball Complement	2.3813
(Z) Dynamic Load Rating	9
(Cr) [N] Static Load Rating	1606
(Cor) [N] Inner Diameter	712
(d) [in] Outer Diameter	0.3150
(D) [in] Flange Diameter	0.6299
(D1) [in] Flange Width	0.7087
(C1) [in]	0.0433