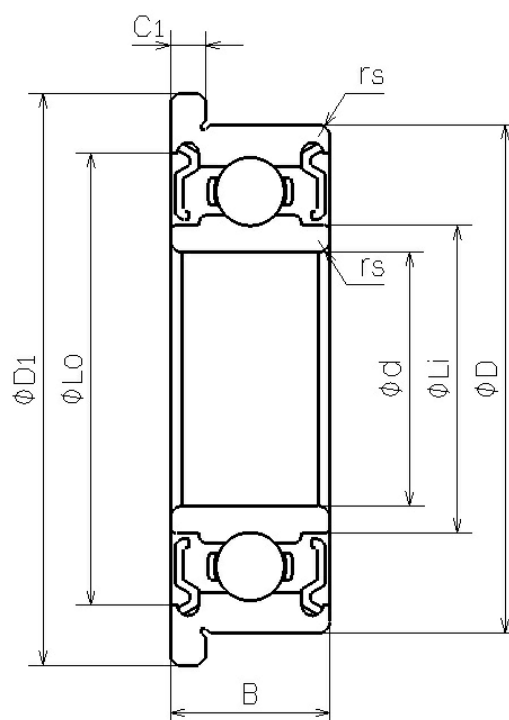


## DDRF-1240ZZ

2023/03/22

## Outline



NMB Parts No.	DDRF-1240ZZ
Metric or Inch	Metric
ISO/JIS	F604ZZ
Material of Rings	Stainless Steel
Ring Type	[Radial] Flanged
Inner Diameter (d) [mm]	4.000
Outer Diameter (D) [mm]	12.000
Width	

## DDRF-1240ZZ

2023/03/22

(B) [mm]	4.000
Chamfer (rs min) [mm]	0.200
Flange Diameter (D1) [mm]	13.500
Flange Width (C1) [mm]	1.000
Reference Diameter Outer (Lo) [mm]	9.990
Reference Diameter Inner (Li) [mm]	5.620
Ball Size (DW) [mm]	2.0000
Ball Complement (Z)	7
Dynamic Load Rating (Cr) [N]	959
Static Load Rating (Cor) [N]	347
Inner Diameter (d) [in]	0.1575
Outer Diameter (D) [in]	0.4724
Flange Diameter (D1) [in]	0.5315
Flange Width (C1) [in]	0.0394