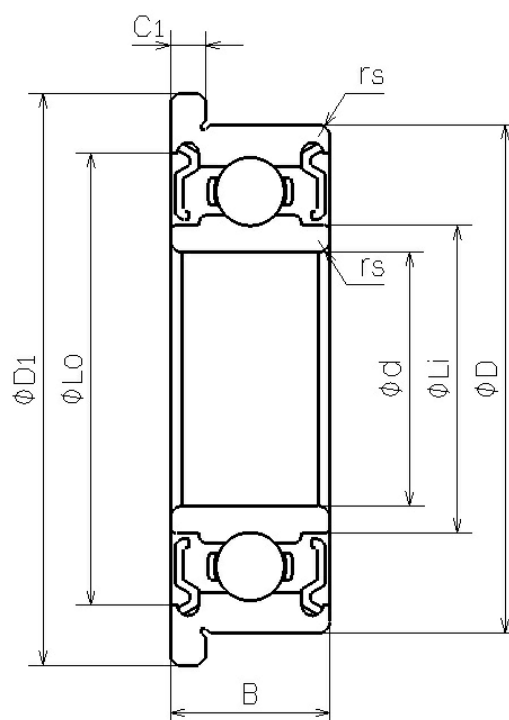


DDRF-1340ZZ

2023/03/22

Outline



NMB Parts No.	DDRF-1340ZZ
Metric or Inch	Metric
ISO/JIS	F624ZZ
Material of Rings	Stainless Steel
Ring Type	[Radial] Flanged
Inner Diameter (d) [mm]	4.000
Outer Diameter (D) [mm]	13.000
Width	

DDRF-1340ZZ

2023/03/22

(B) [mm]	5.000
Chamfer (rs min) [mm]	0.200
Flange Diameter (D1) [mm]	15.000
Flange Width (C1) [mm]	1.000
Reference Diameter Outer (Lo) [mm]	11.040
Reference Diameter Inner (Li) [mm]	7.000
Ball Size (DW) [mm]	2.3813
Ball Complement (Z)	7
Dynamic Load Rating (Cr) [N]	1306
Static Load Rating (Cor) [N]	487
Inner Diameter (d) [in]	0.1575
Outer Diameter (D) [in]	0.5118
Flange Diameter (D1) [in]	0.5906
Flange Width (C1) [in]	0.0394