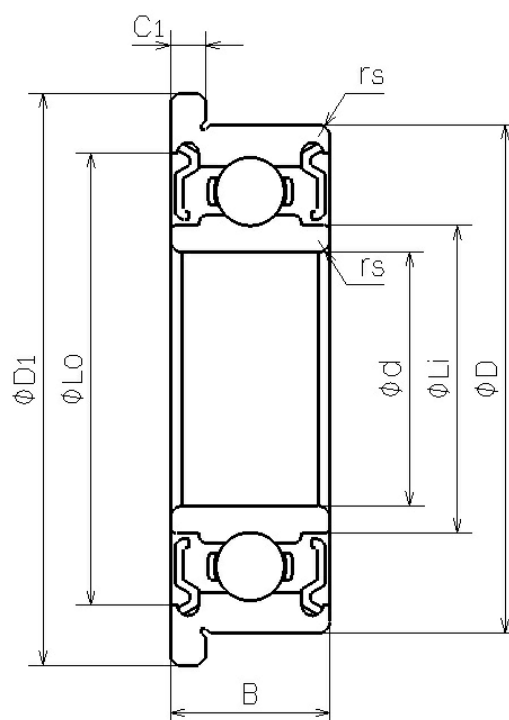


DDRF-1650HH

2023/03/22

Outline



NMB Parts No.	DDRF-1650HH
Metric or Inch	Metric
ISO/JIS	F625ZZ
Material of Rings	Stainless Steel
Ring Type	[Radial] Flanged
Inner Diameter (d) [mm]	5.000
Outer Diameter (D) [mm]	16.000
Width	

DDRF-1650HH

2023/03/22

(B) [mm]	5.000
Chamfer (rs min) [mm]	0.300
Flange Diameter (D1) [mm]	18.000
Flange Width (C1) [mm]	1.000
Reference Diameter Outer (Lo) [mm]	13.410
Reference Diameter Inner (Li) [mm]	7.800
Ball Size (DW) [mm]	2.7781
Ball Complement (Z)	7
Dynamic Load Rating (Cr) [N]	1735
Static Load Rating (Cor) [N]	671
Inner Diameter (d) [in]	0.1969
Outer Diameter (D) [in]	0.6299
Flange Diameter (D1) [in]	0.7087
Flange Width (C1) [in]	0.0394