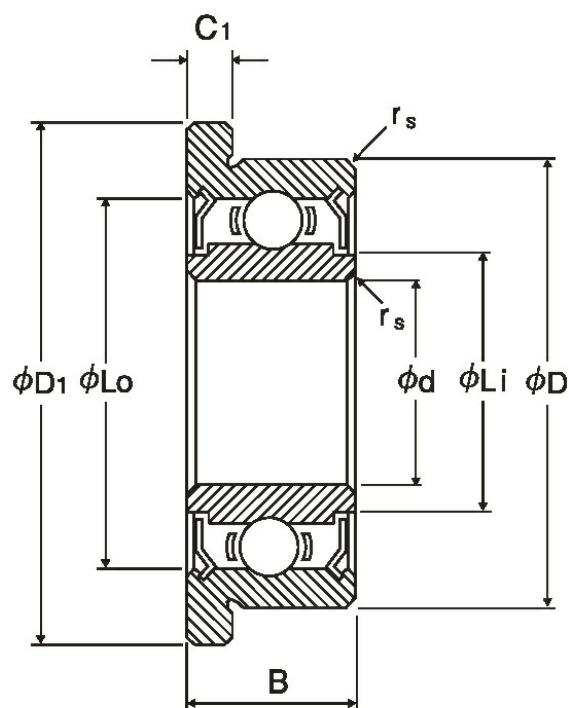


DDRF-1950ZZ

2021/09/13

Outline



NMB Parts No.	DDRF-1950ZZ
Metric or Inch	Metric
ISO/JIS	F635ZZ
Material of Rings	Stainless Steel
Ring Type	[Radial]Flanged
Inner Diameter (d) [mm]	5.000
Outer Diameter (D) [mm]	19.000
Width (B) [mm]	6.000
Chamfer (rs min) [mm]	0.300
Flange Diameter (D1)	22.000

DDRF-1950ZZ

2021/09/13

(D1) [mm] Flange Width	22.000
(C1) [mm] Reference Diameter Outer	1.500
(Lo) [mm] Reference Diameter Inner	16.260
(Li) [mm] Ball Size	8.670
(DW) [mm] Ball Complement	3.9688
(Z) Dynamic Load Rating	6
(Cr) [N] Static Load Rating	2805
(Cor) [N] Inner Diameter	1060
(d) [in] Outer Diameter	0.1969
(D) [in] Flange Diameter	0.7480
(D1) [in] Flange Width	0.8661
(C1) [in]	0.0591