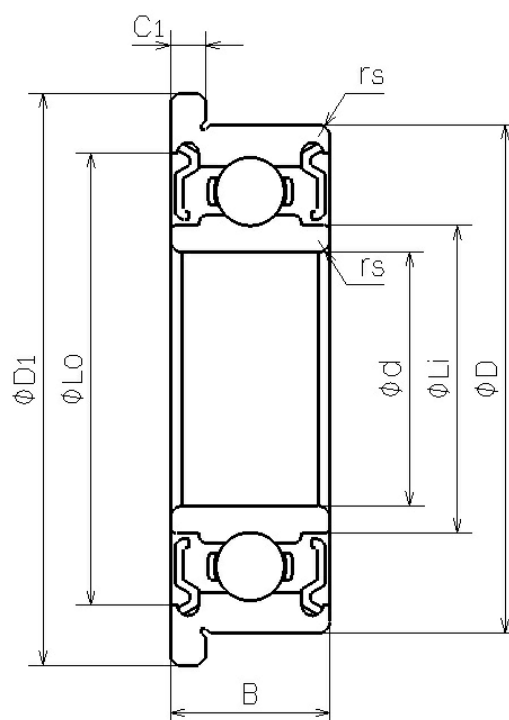


DDRF-3ZZ

2023/03/22

Outline



NMB Parts No.	DDRF-3ZZ
Metric or Inch	Inch
ISO/JIS	-
Material of Rings	Stainless Steel
Ring Type	[Radial] Flanged
Inner Diameter (d) [mm]	4.762
Outer Diameter (D) [mm]	12.700
Width	

DDRF-3ZZ

2023/03/22

(B) [mm]	4.978
Chamfer (rs min) [mm]	0.300
Flange Diameter (D1) [mm]	14.351
Flange Width (C1) [mm]	1.067
Reference Diameter Outer (Lo) [mm]	11.000
Reference Diameter Inner (Li) [mm]	7.000
Ball Size (DW) [mm]	2.3813
Ball Complement (Z)	7
Dynamic Load Rating (Cr) [N]	1306
Static Load Rating (Cor) [N]	487
Inner Diameter (d) [in]	0.1875
Outer Diameter (D) [in]	0.5000
Flange Diameter (D1) [in]	0.5650
Flange Width (C1) [in]	0.0420