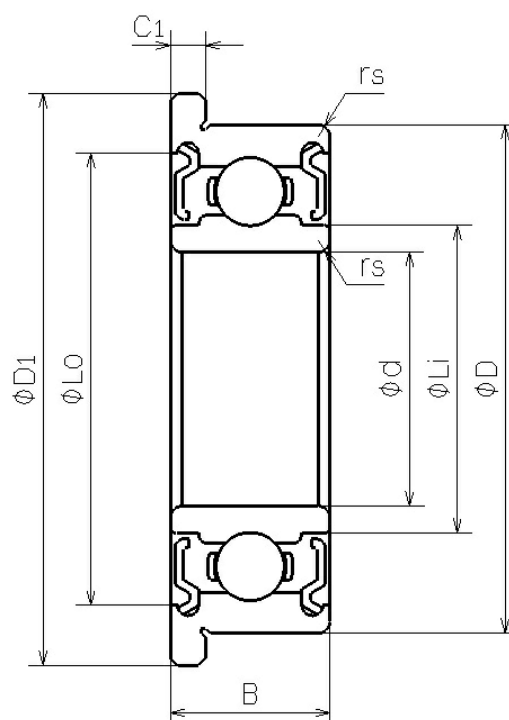


DDRF-720ZZ

2023/03/22

Outline



NMB Parts No.	DDRF-720ZZ
Metric or Inch	Metric
ISO/JIS	-
Material of Rings	Stainless Steel
Ring Type	[Radial] Flanged
Inner Diameter (d) [mm]	2.000
Outer Diameter (D) [mm]	7.000
Width	

DDRF-720ZZ

2023/03/22

(B) [mm]	3.500
Chamfer (rs min) [mm]	0.150
Flange Diameter (D1) [mm]	8.500
Flange Width (C1) [mm]	0.900
Reference Diameter Outer (Lo) [mm]	5.930
Reference Diameter Inner (Li) [mm]	3.800
Ball Size (DW) [mm]	1.1906
Ball Complement (Z)	7
Dynamic Load Rating (Cr) [N]	380
Static Load Rating (Cor) [N]	126
Inner Diameter (d) [in]	0.0787
Outer Diameter (D) [in]	0.2756
Flange Diameter (D1) [in]	0.3346
Flange Width (C1) [in]	0.0354