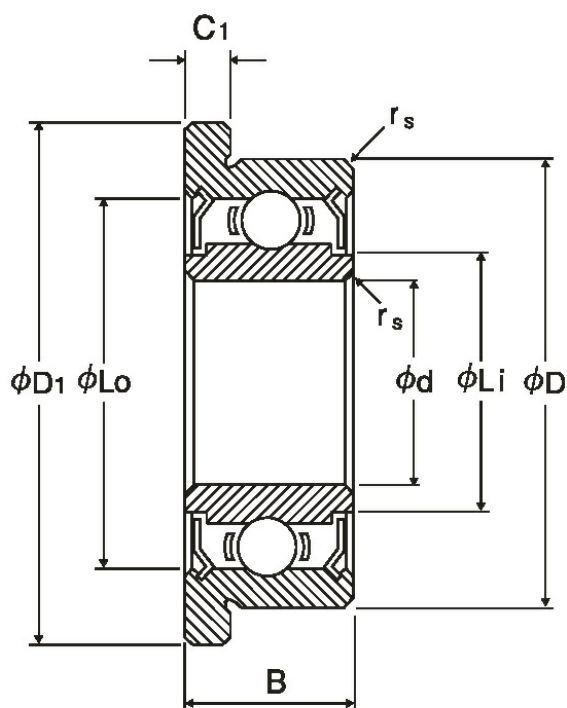


DDRF-725ZZ

2021/09/13

Outline



NMB Parts No.	DDRF-725ZZ
Metric or Inch	Metric
ISO/JIS	-
Material of Rings	Stainless Steel
Ring Type	[Radial]Flanged
Inner Diameter (d) [mm]	2.500
Outer Diameter (D) [mm]	7.000
Width (B) [mm]	3.500
Chamfer (rs min) [mm]	0.150
Flange Diameter (D1)	8.500

DDRF-725ZZ

2021/09/13

(D1) [mm] Flange Width	8.500
(C1) [mm] Reference Diameter Outer	0.900
(Lo) [mm] Reference Diameter Inner	5.930
(Li) [mm] Ball Size	3.800
(DW) [mm] Ball Complement	1.1906
(Z) Dynamic Load Rating	7
(Cr) [N] Static Load Rating	380
(Cor) [N] Inner Diameter	126
(d) [in] Outer Diameter	0.0984
(D) [in] Flange Diameter	0.2756
(D1) [in] Flange Width	0.3346
(C1) [in]	0.0354