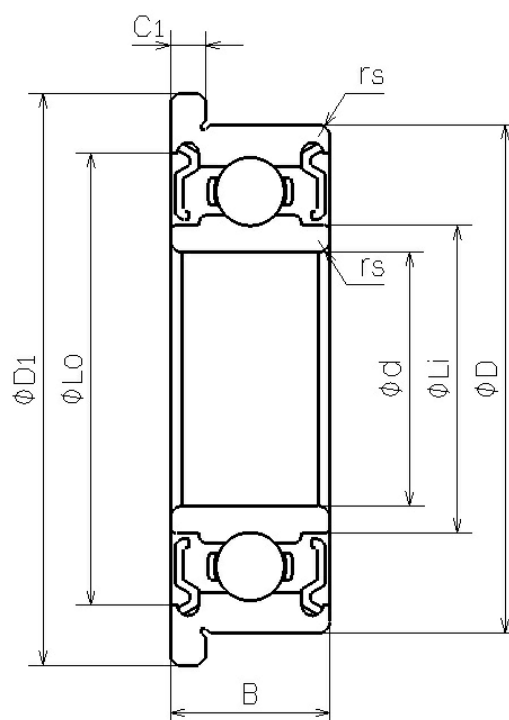


DDRIF-518ZZ

2023/03/22

Outline



NMB Parts No.	DDRIF-518ZZ
Metric or Inch	Inch
ISO/JIS	-
Material of Rings	Stainless Steel
Ring Type	[Radial] Flanged
Inner Diameter (d) [mm]	3.175
Outer Diameter (D) [mm]	7.938
Width	

DDRIF-518ZZ

2023/03/22

(B) [mm]	3.571
Chamfer (rs min) [mm]	0.080
Flange Diameter (D1) [mm]	9.119
Flange Width (C1) [mm]	0.787
Reference Diameter Outer (Lo) [mm]	7.190
Reference Diameter Inner (Li) [mm]	4.400
Ball Size (DW) [mm]	1.5875
Ball Complement (Z)	6
Dynamic Load Rating (Cr) [N]	563
Static Load Rating (Cor) [N]	183
Inner Diameter (d) [in]	0.1250
Outer Diameter (D) [in]	0.3125
Flange Diameter (D1) [in]	0.3590
Flange Width (C1) [in]	0.0310