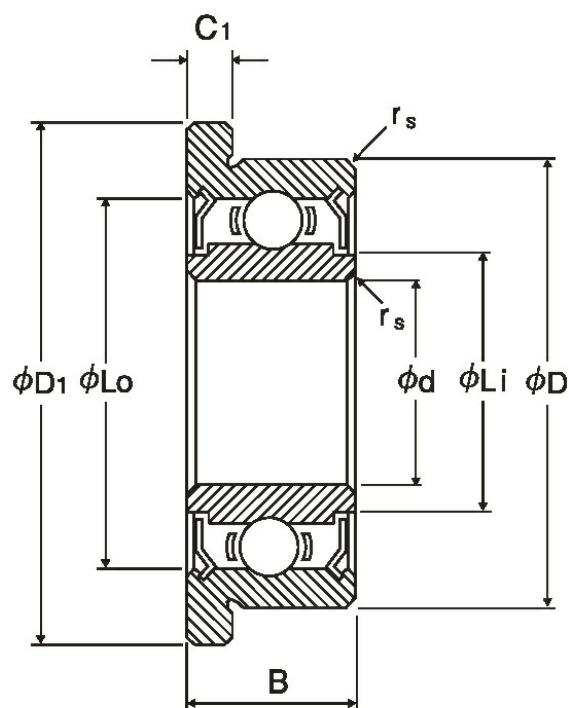


## DDRIF-5632ZZ

2021/09/13

## Outline



NMB Parts No.	DDRIF-5632ZZ
Metric or Inch	Inch
ISO/JIS	-
Material of Rings	Stainless Steel
Ring Type	[Radial]Flanged
Inner Diameter (d) [mm]	4.762
Outer Diameter (D) [mm]	7.938
Width (B) [mm]	3.175
Chamfer ( $r_s$ min) [mm]	0.080
Flange Diameter ( $\phi D_1$ )	8.110

**DDRIF-5632ZZ**

2021/09/13

(D1) [mm] Flange Width	9.119
(C1) [mm] Reference Diameter Outer	0.914
(Lo) [mm] Reference Diameter Inner	7.310
(Li) [mm] Ball Size	5.620
(DW) [mm] Ball Complement	1.1906
(Z) Dynamic Load Rating	7
(Cr) [N] Static Load Rating	391
(Cor) [N] Inner Diameter	142
(d) [in] Outer Diameter	0.1875
(D) [in] Flange Diameter	0.3125
(D1) [in] Flange Width	0.3590
(C1) [in]	0.0360