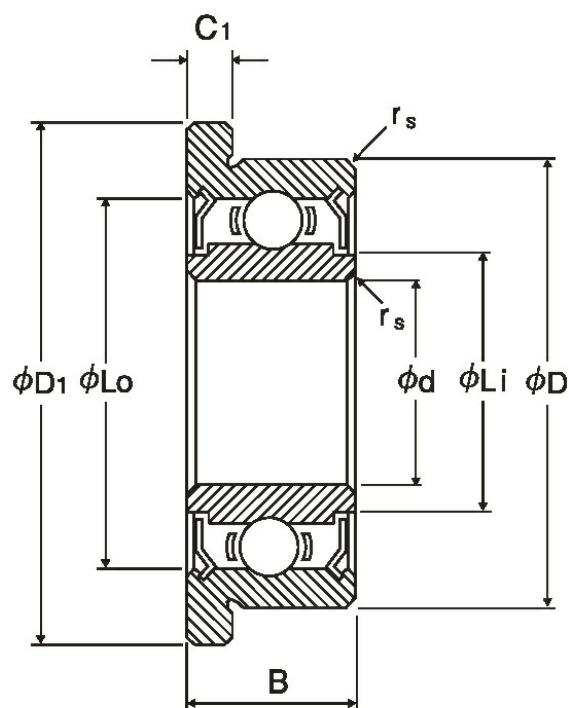


## DDRIF-6632ZZ

2021/09/13

## Outline



NMB Parts No.	DDRIF-6632ZZ
Metric or Inch	Inch
ISO/JIS	-
Material of Rings	Stainless Steel
Ring Type	[Radial]Flanged
Inner Diameter (d) [mm]	4.762
Outer Diameter (D) [mm]	9.525
Width (B) [mm]	3.175
Chamfer (rs min) [mm]	0.080
Flange Diameter (D1)	10.710

**DDRIF-6632ZZ**

2021/09/13

(D1) [mm] Flange Width	10.719
(C1) [mm] Reference Diameter Outer	0.787
(Lo) [mm] Reference Diameter Inner	8.720
(Li) [mm] Ball Size	5.970
(DW) [mm] Ball Complement	1.5875
(Z) Dynamic Load Rating	8
(Cr) [N] Static Load Rating	712
(Cor) [N] Inner Diameter	271
(d) [in] Outer Diameter	0.1875
(D) [in] Flange Diameter	0.3750
(D1) [in] Flange Width	0.4220
(C1) [in]	0.0310