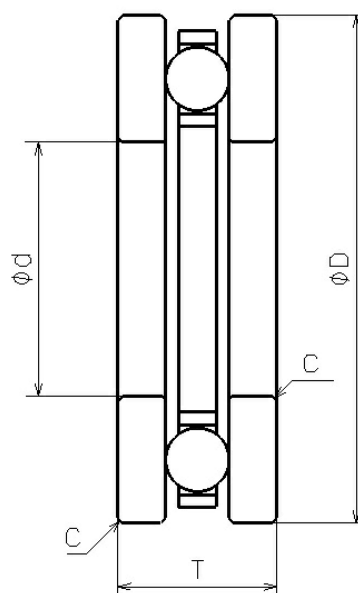


## DDT-1810

2023/03/22

## Outline



NMB Parts No.	DDT-1810
Metric or Inch	Metric
ISO/JIS	-
Material of Rings	Stainless Steel
Ring Type	[Thrust] without groove
Inner Diameter (d) +0.040 +0.020 [mm]	10.000
Outer Diameter (D)	18.000

## DDT-1810

2023/03/22

+0 -0.011 [mm]	18.000
Height (T) +0 -0.075 [mm]	5.500
Chamfer (C) [mm]	0.3
Ball Size (DW) [mm]	2.3813
Ball Complement (Z)	9
Inner Diameter (d) [in]	0.3937
Outer Diameter (D) [in]	0.7087