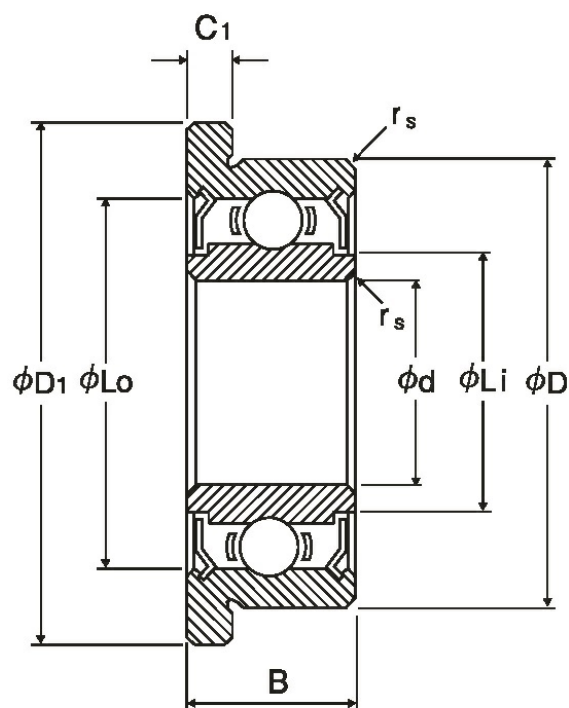


LF-1360ZZ

2021/09/13

Outline



NMB Parts No.	LF-1360ZZ
Metric or Inch	Metric
ISO/JIS	-
Material of Rings	Chromium Steel
Ring Type	[Radial]Flanged
Inner Diameter (d) [mm]	6.000
Outer Diameter (D) [mm]	13.000
Width (B) [mm]	5.000
Chamfer (rs min) [mm]	0.150
Flange Diameter (D1)	15.000

LF-1360ZZ

2021/09/13

(D1) [mm]	15.000
Flange Width (C1) [mm]	1.100
Reference Diameter Outer (Lo) [mm]	11.440
Reference Diameter Inner (Li) [mm]	7.330
Ball Size (DW) [mm]	2.0000
Ball Complement (Z)	8
Dynamic Load Rating (Cr) [N]	1083
Static Load Rating (Cor) [N]	438
Inner Diameter (d) [in]	0.2362
Outer Diameter (D) [in]	0.5118
Flange Diameter (D1) [in]	0.5906
Flange Width (C1) [in]	0.0433