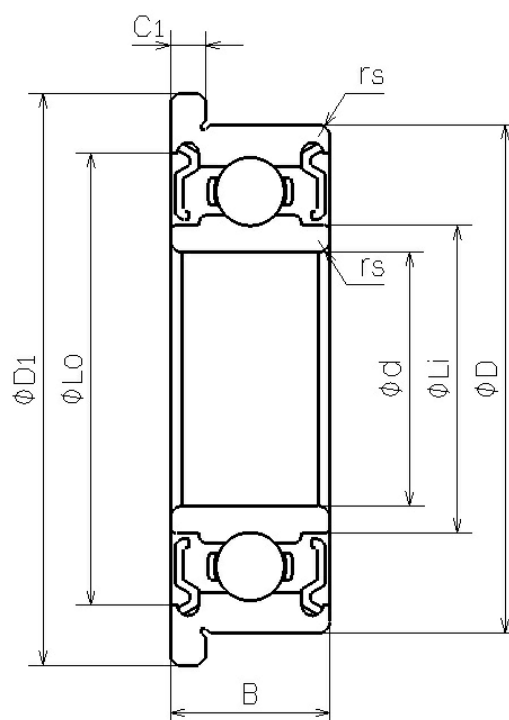


## LF-1480DD

2023/03/22

## Outline



NMB Parts No.	LF-1480DD
Metric or Inch	Metric
ISO/JIS	-
Material of Rings	Chromium Steel
Ring Type	[Radial] Flanged
Inner Diameter (d) [mm]	8.000
Outer Diameter (D) [mm]	14.000
Width	

## LF-1480DD

2023/03/22

(B) [mm]	4.000
Chamfer (rs min) [mm]	0.150
Flange Diameter (D1) [mm]	15.600
Flange Width (C1) [mm]	0.800
Reference Diameter Outer (Lo) [mm]	12.550
Reference Diameter Inner (Li) [mm]	9.900
Ball Size (DW) [mm]	1.5875
Ball Complement (Z)	10
Dynamic Load Rating (Cr) [N]	819
Static Load Rating (Cor) [N]	386
Inner Diameter (d) [in]	0.3150
Outer Diameter (D) [in]	0.5512
Flange Diameter (D1) [in]	0.6142
Flange Width (C1) [in]	0.0315