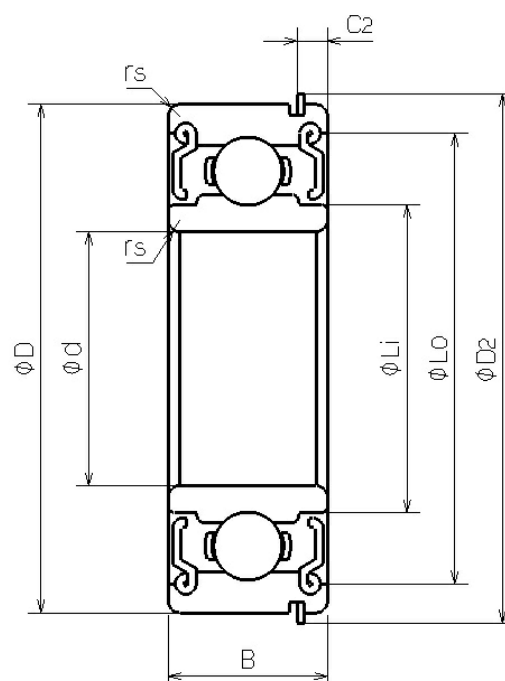


LNR-1360X3ZZ

2023/03/22

Outline



NMB Parts No.	LNR-1360X3ZZ
Metric or Inch	Metric
ISO/JIS	686ZZNR
Material of Rings	Chromium Steel
Ring Type	[Radial] Stop ring
Inner Diameter (d) [mm]	6.000
Outer Diameter (D) [mm]	13.000
Width	

LNR-1360X3ZZ

2023/03/22

(B) [mm]	5.000
Chamfer (rs min) [mm]	0.150
Stop Ring Diameter (D2) [mm]	14.500
Stop Ring Location (C2) [mm]	1.100
Reference Diameter Outer (Lo) [mm]	10.480
Reference Diameter Inner (Li) [mm]	7.700
Ball Size (DW) [mm]	1.5875
Ball Complement (Z)	10
Dynamic Load Rating (Cr) [N]	831
Static Load Rating (Cor) [N]	363
Inner Diameter (d) [in]	0.2362
Outer Diameter (D) [in]	0.5118
Stop Ring Diameter (D2) [in]	0.571
Stop Ring Location (C2) [in]	0.043