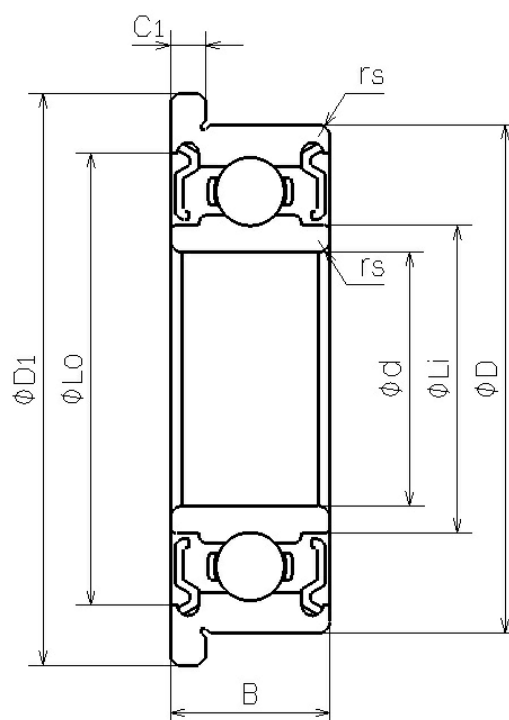


RF-1960ZZ

2023/03/22

Outline



NMB Parts No.	RF-1960ZZ
Metric or Inch	Metric
ISO/JIS	F626ZZ
Material of Rings	Chromium Steel
Ring Type	[Radial] Flanged
Inner Diameter (d) [mm]	6.000
Outer Diameter (D) [mm]	19.000
Width	

RF-1960ZZ

2023/03/22

(B) [mm]	6.000
Chamfer (rs min) [mm]	0.300
Flange Diameter (D1) [mm]	22.000
Flange Width (C1) [mm]	1.500
Reference Diameter Outer (Lo) [mm]	16.260
Reference Diameter Inner (Li) [mm]	8.670
Ball Size (DW) [mm]	3.9688
Ball Complement (Z)	6
Dynamic Load Rating (Cr) [N]	2805
Static Load Rating (Cor) [N]	1060
Inner Diameter (d) [in]	0.2362
Outer Diameter (D) [in]	0.7480
Flange Diameter (D1) [in]	0.8661
Flange Width (C1) [in]	0.0591