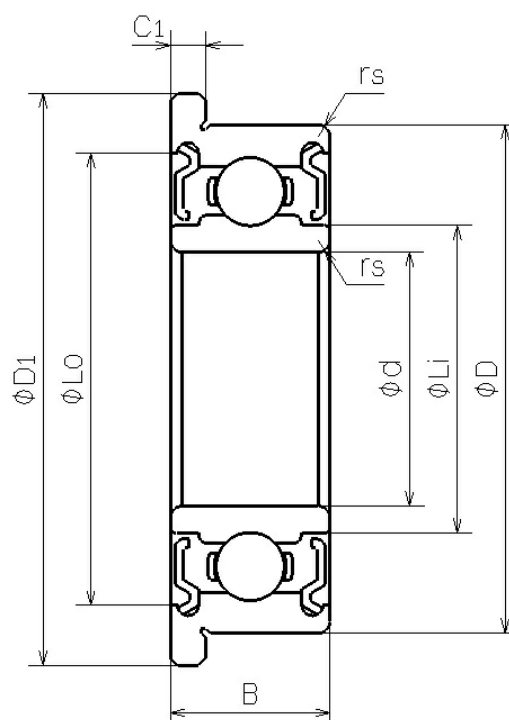


RIF-1438DD

2023/03/22

Outline



NMB Parts No.	RIF-1438DD
Metric or Inch	Inch
ISO/JIS	-
Material of Rings	Chromium Steel
Ring Type	[Radial] Flanged
Inner Diameter (d) [mm]	9.525
Outer Diameter (D) [mm]	22.225
Width	

RIF-1438DD

2023/03/22

(B) [mm]	7.142
Chamfer (rs min) [mm]	0.410
Flange Diameter (D1) [mm]	24.613
Flange Width (C1) [mm]	1.575
Reference Diameter Outer (Lo) [mm]	19.100
Reference Diameter Inner (Li) [mm]	12.400
Ball Size (DW) [mm]	3.9688
Ball Complement (Z)	7
Dynamic Load Rating (Cr) [N]	3297
Static Load Rating (Cor) [N]	1368
Inner Diameter (d) [in]	0.3750
Outer Diameter (D) [in]	0.8750
Flange Diameter (D1) [in]	0.9690
Flange Width (C1) [in]	0.0620