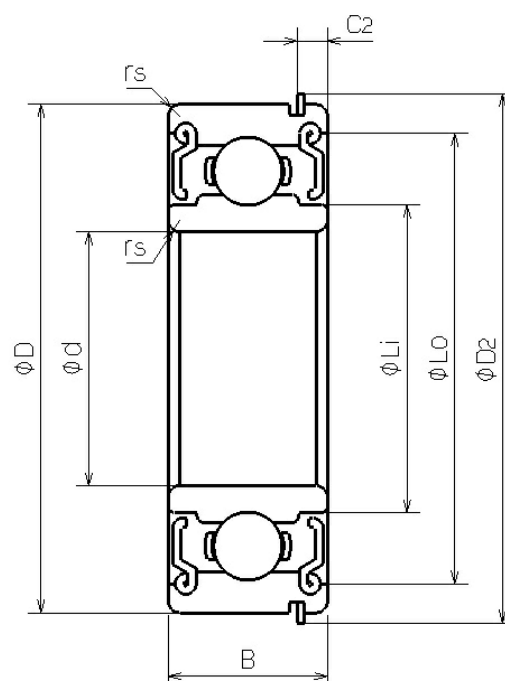


## RNR-1760X2ZZ

2023/03/22

## Outline



NMB Parts No.	RNR-1760X2ZZ
Metric or Inch	Metric
ISO/JIS	606ZZNR
Material of Rings	Chromium Steel
Ring Type	[Radial] Stop ring
Inner Diameter (d) [mm]	6.000
Outer Diameter (D) [mm]	17.000
Width	

## RNR-1760X2ZZ

2023/03/22

(B) [mm]	6.000
Chamfer (rs min) [mm]	0.300
Stop Ring Diameter (D2) [mm]	19.200
Stop Ring Location (C2) [mm]	1.200
Reference Diameter Outer (Lo) [mm]	14.700
Reference Diameter Inner (Li) [mm]	8.220
Ball Size (DW) [mm]	3.5000
Ball Complement (Z)	6
Dynamic Load Rating (Cr) [N]	2265
Static Load Rating (Cor) [N]	839
Inner Diameter (d) [in]	0.2362
Outer Diameter (D) [in]	0.6693
Stop Ring Diameter (D2) [in]	0.756
Stop Ring Location (C2) [in]	0.047