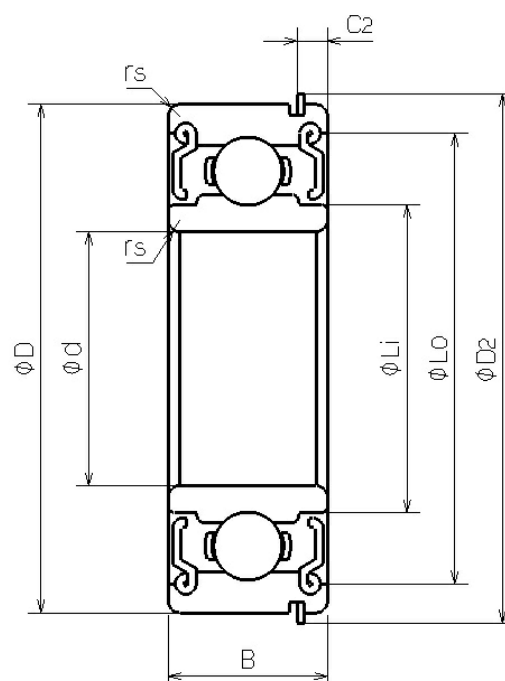


RNR-2210X9KKSD21

2023/03/22

Outline



NMB Parts No.	RNR-2210X9KKSD21
Metric or Inch	Metric
ISO/JIS	6900ZZNR
Material of Rings	Chromium Steel
Ring Type	[Radial] Stop ring
Inner Diameter (d) [mm]	10.000
Outer Diameter (D) [mm]	22.000
Width	

RNR-2210X9KKSD21

2023/03/22

(B) [mm]	6.000
Chamfer (rs min) [mm]	0.300
Stop Ring Diameter (D2) [mm]	24.700
Stop Ring Location (C2) [mm]	1.620
Reference Diameter Outer (Lo) [mm]	19.400
Reference Diameter Inner (Li) [mm]	13.400
Ball Size (DW) [mm]	3.1750
Ball Complement (Z)	9
Dynamic Load Rating (Cr) [N]	2697
Static Load Rating (Cor) [N]	1273
Inner Diameter (d) [in]	0.3937
Outer Diameter (D) [in]	0.8661
Stop Ring Diameter (D2) [in]	0.972
Stop Ring Location (C2) [in]	0.064