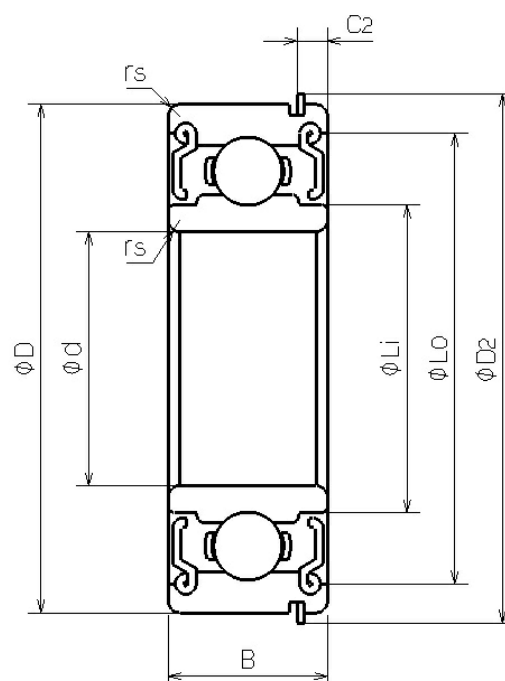


RNR-2412X3KK

2023/03/22

Outline



NMB Parts No.	RNR-2412X3KK
Metric or Inch	Metric
ISO/JIS	6901ZZNR
Material of Rings	Chromium Steel
Ring Type	[Radial] Stop ring
Inner Diameter (d) [mm]	12.000
Outer Diameter (D) [mm]	24.000
Width	

RNR-2412X3KK

2023/03/22

(B) [mm]	6.000
Chamfer (rs min) [mm]	0.300
Stop Ring Diameter (D2) [mm]	26.800
Stop Ring Location (C2) [mm]	1.620
Reference Diameter Outer (Lo) [mm]	21.690
Reference Diameter Inner (Li) [mm]	14.280
Ball Size (DW) [mm]	3.5719
Ball Complement (Z)	8
Dynamic Load Rating (Cr) [N]	3082
Static Load Rating (Cor) [N]	1433
Inner Diameter (d) [in]	0.4724
Outer Diameter (D) [in]	0.9449
Stop Ring Diameter (D2) [in]	1.055
Stop Ring Location (C2) [in]	0.064