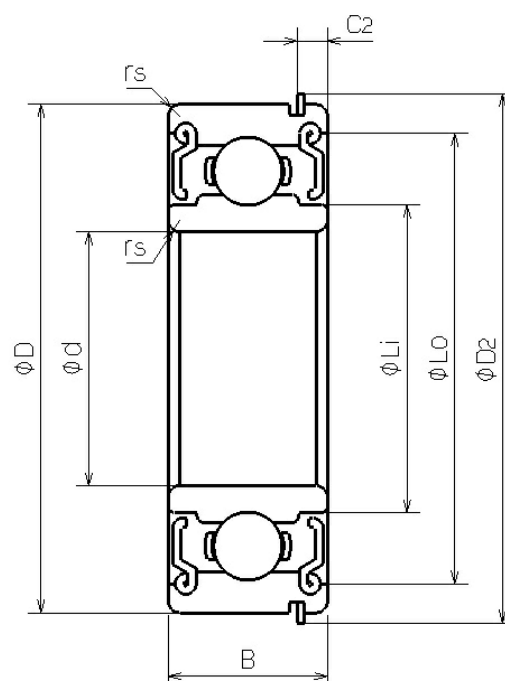


## RNR-4KK

2023/03/22

## Outline



NMB Parts No.	RNR-4KK
Metric or Inch	Inch
ISO/JIS	-
Material of Rings	Chromium Steel
Ring Type	[Radial] Stop ring
Inner Diameter (d) [mm]	6.350
Outer Diameter (D) [mm]	15.875
Width	

## RNR-4KK

2023/03/22

(B) [mm]	4.978
Chamfer (rs min) [mm]	0.300
Stop Ring Diameter (D2) [mm]	18.500
Stop Ring Location (C2) [mm]	1.800
Reference Diameter Outer (Lo) [mm]	13.040
Reference Diameter Inner (Li) [mm]	8.200
Ball Size (DW) [mm]	2.3813
Ball Complement (Z)	8
Dynamic Load Rating (Cr) [N]	1470
Static Load Rating (Cor) [N]	599
Inner Diameter (d) [in]	0.2500
Outer Diameter (D) [in]	0.6250
Stop Ring Diameter (D2) [in]	0.728
Stop Ring Location (C2) [in]	0.071