

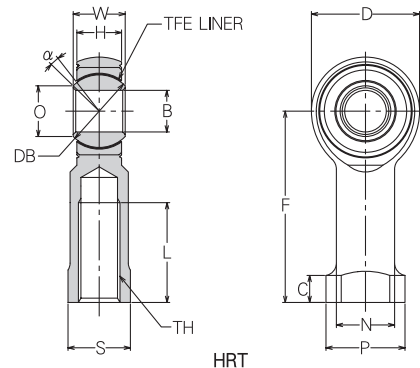
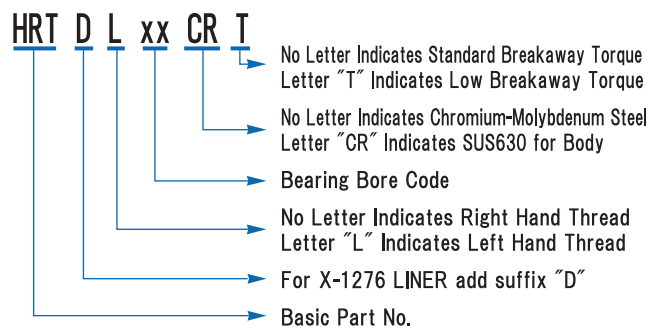
# HRT

**ROD END FEMALE**      **SELF-LUBRICATING**      **3 PIECE**

**Materials**

	HRT	HRT-CR
<b>BODY</b>	Chromium-Molybdenum Steel Zinc Plated	SUS630 Stainless Steel Passivated
<b>RACE</b>	410 Stainless Steel / Heat Treated	410 Stainless Steel / Heat Treated
<b>BALL</b>	440C Stainless Steel / Heat Treated	440C Stainless Steel / Heat Treated
<b>LINER</b>	Teflon / Fabric	Teflon / Fabric

**Description of Types**



Dimensions in mm

MINEBEA Part No.	φB H7	φD ± 0.5	W 0 - 0.13	H ± 0.13	F ± 0.5	TH JIS Class 2	L ± 0.7	φN ± 0.5	φP ± 0.5	C +0.2 -0.7	S ± 0.25	α (deg.)	φO Ref.	SφDB Ref.	No Load Rotational Breakaway Torque N · m	Static Limit Load kN(3)		Radial Static Ultimate Load (3) kN	Fatigue Load (3) kN	Approx. Weight g						
															Standard	Radial	Axial (2)									
HRT5	5	20.5	11.0	8.75	35.0	M5 × 0.8	19	10.8	15	4.5	12	15	7.8	13.49	0.06 ~ 0.68 {0.6 ~ 6.9kgf · cm}	27.94	5.09	34.91	5.78	40						
HRT6	6	20.5		37.0	M6 × 1.0	12.5		17	14												14	10.9	15.48			
HRT8	8	23.0		8.25	41.0	M8 × 1.25		22	12.5												17	14	14	10.9	15.48	
HRT10	10	26.0	12.5	10.75	46.0	M10 × 1.5	24	14.0	19	6.5	20	10	15.4	22.22	34.02	5.29	42.46	7.06	51							
HRT12	12	34.0	16.0	13.25	57.0	M12 × 1.75	32	18.5	24											15	8	12.2	17.46			
HRT14	14	36.0	17.0	14.25	60.0	M14 × 2.0	33	19.0	25											8	18.9	25.40				
HRT15	15	38.0	18.0	15.25	62.0	M16 × 2.0	34	20.0	25	8.5	21	11	19.0	26.19	82.96	9.02	103.65	17.25	165							
HRT16	16	39.0	19.0		63.5		35	22.0	27											9.5	23	10	19.2	26.99		
HRT17	17	41.0	20.0		68.0		37	23.0	28											9.5	24	12	20.4	28.58		
HRT18	18	43.0	22.0	16.30	74.0	M18 × 1.5	40	24.0	30	10.0	26	10	6	22.9	31.75	156.21	15.10	195.25	32.55	580						
HRT20	20	45.0			76.0	M20 × 1.5	41	25.0													30	10.0	26	13	22.9	31.75
HRT22	22	52.0			85.0	M22 × 1.5	47	28.0													36	12.0	30	6	27.1	34.92
HRT25	25	70.0	35.0	25.30	105.0	M24 × 2.0	54	42.0	50	14.0	43	15	32.3	47.62	302.43	20.88	378.04	63.05	1230							
HRT28	28	75.0			110.0	M27 × 2.0	58	44.0	56	15.0	47	14	36.8	50.80												
HRT30	30	78.0			120.0	M30 × 2.0	62	48.0	60	16.0	51	14	40.4	54.77												

**Notes**

- Teflon liner permanently bonded to race I.D.
  - Axial load indicates either the smaller value of static load or proof load.
  - Select Type "CR" for higher load capability.
  - Made to order only.
  - No Load Rotational Breakaway Torque.  
Low Torque All Size: 0.02N · m MAX  
(Radial Clearance 0.05mm MAX)
- Please consult MINEBEA for availability of bearings in this series.

Bore size	~ 6	~ 10	~ 18	~ 30
H7 Tolerance (μm)	+12 0	+15 0	+18 0	+21 0