

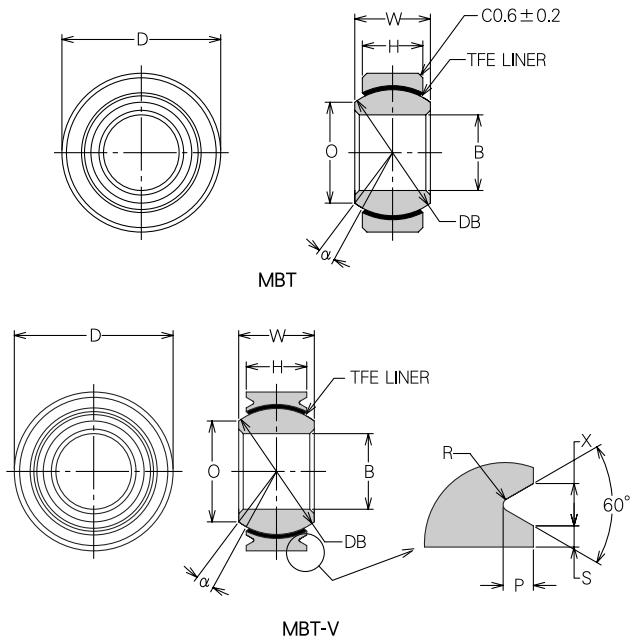
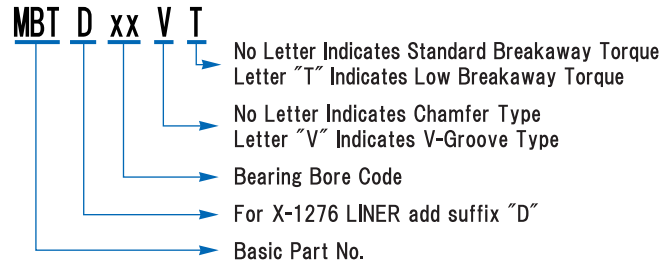
MBT, MBT-V

SPHERICAL SELF-LUBRICATING NARROW

Materials

RACE 410 Stainless Steel / Heat Treated
 BALL 440C Stainless Steel / Heat Treated
 LINER Teflon / Fabric

Description of Types



Dimensions in mm

MINEBEA Part No.	φB H7	φD O - 0.013	W O - 0.13	H ± 0.13	α (deg.)	φ O Ref.	S φ DB Ref.	No Load Rotational Breakaway Torque N · m		Staking Groove				Static Limit Load kN		Dynamic Load kN	Approx. Weight g
								Standard	S O - 0.25	X O - 0.25	R O - 0.25	P O - 0.4	Radial	Axial			
															0.12 ~ 0.57 {1.2 ~ 5.8kgf · cm}		
MBT3/MBT3V	3	10.0	5.0	3.5	15	5.1	7.144						7.84	0.98	3.43	3	
MBT4/MBT4V	4	12.0	6.5	4.5	17	5.8	8.731		0.5	1.0	0.4	0.7	12.74	1.56	5.88	4	
MBT5/MBT5V	5	14.5	7.0	5.5	10	7.6	10.319						18.63	2.45	8.72	7	
MBT6/MBT6V	6	16.5	8.5	6.5	11	9.4	12.700						30.40	3.43	13.72	11	
MBT8/MBT8V	8	19.0	9.5	7.0	12	10.7	14.288			1.4		1.0	37.26	3.92	16.67	14	
MBT10/MBT10V	10	21.0	10.0	8.0	8	13.3	16.669	0.12 ~ 0.57 {1.2 ~ 5.8kgf · cm}	0.7	2.0	0.5	1.5	50.01	5.19	22.55	19	
MBT12/MBT12V	12	25.0	13.0	10.0	10	15.0	19.844						74.53	8.33	33.34	32	
MBT14/MBT14V	14	27.5	14.0	11.0	8	18.3	23.019						101.98	15.69	45.11	42	
MBT15/MBT15V	15	29.0	15.0	12.0	8	19.5	24.606						118.66	18.63	52.95	50	
MBT16/MBT16V	16	30.0	16.0	12.5	10	18.7							123.56	20.39	54.91	53	
MBT18/MBT18V	18	34.0	18.0	14.0	9	22.2	28.575						161.80	25.49	72.56	78	
MBT20/MBT20V	20	36.0	19.0	15.0	9	23.4	30.162						182.40	29.41	81.39	89	
MBT22/MBT22V	22	40.0	22.0	18.0	8	25.0	33.338						243.20	42.16	108.85	130	
MBT25/MBT25V	25	45.0	25.0	20.0	9	28.8	38.100						308.90	51.97	138.27	185	
MBT28/MBT28V	28	50.0	28.0	22.0	9	34.0	44.053						393.24	63.74	176.51	255	
MBT30/MBT30V	30	56.0	30.0	23.0	10	37.0	47.625	444.24	69.62	199.07	350						

Notes

- Teflon liner permanently bonded to race I.D.
 - MBT & MBT-V weights are similar.
 - Made to order only.
 - No Load Rotational Breakaway Torque.
 Low Torque All Size: 0.02N · m MAX
 (Radial Clearance 0.05mm MAX)
- Please consult MINEBEA for availability of bearings in this series.

Bore size	~ 3	~ 6	~ 10	~ 18	~ 30
H7 Tolerance (μm)	+ 10 0	+ 12 0	+ 15 0	+ 18 0	+ 21 0