

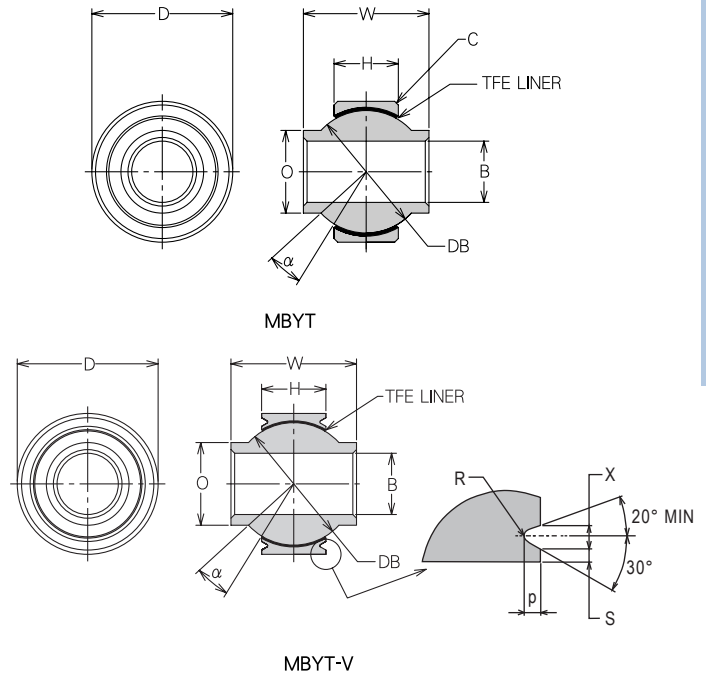
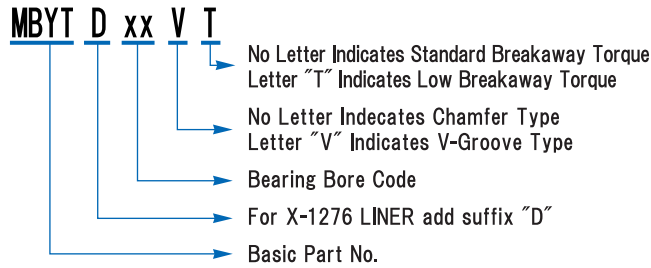
MBYT, MBYT-V

SPHERICAL SELF-LUBRICATING HIGH MISALIGNMENT

Materials

RACE 410 Stainless Steel / Heat Treated
 BALL 440C Stainless Steel / Heat Treated
 LINER Teflon / Fabric

Description of Types



Dimensions in mm

MINEBEA Part No.	φB H7	φD 0 -0.013	W 0 -0.13	H ± 0.13	α (deg.)	φO Ref.	S φDB Ref.	No Load Rotational Breakaway Torque N · m	Chamfer	Staking Groove				Static Limit Load kN		Dynamic Load kN	Approx. Weight g
										S 0 -0.25	X 0 -0.30	R 0 -0.25	P 0 -0.4	Radial	Axial		
MBYT5/MBYT5V	5	14	12.5	5.0	17	8.0	11.1	0.06 ~ 0.57 {0.6 ~ 5.8kgf · cm}	0.5	0.5	1.0	0.4	0.7	18.63	1.96	7.84	8
MBYT6/MBYT6V	6	19	15.0	6.5	23	10.0	15.1							36.26	3.43	14.70	18
MBYT8/MBYT8V	8	18	16.0	8.5	22	13.5	20.0	0.12 ~ 0.57 {1.2 ~ 5.8kgf · cm}	0.6	0.7	1.4	0.5	1.0	63.70	5.97	28.42	32
MBYT10/MBYT10V	10	23	20.5											72.03		32.34	42
MBYT12/MBYT12V	12	26	22.0	98.00	8.33	44.10	60										
MBYT14/MBYT14V	14	29	23.5	10.0	20	19.0	26.0							135.24	18.62	60.76	86
MBYT15/MBYT15V	15	33	26.0	12.0	19	20.0	28.0							179.34	25.48	80.36	120
MBYT16/MBYT16V	16	35	30.5	14.0	21	21.5	31.8							187.18	27.44	83.30	135
MBYT18/MBYT18V	18	38	33.0	14.5	15	23.5	32.0							219.52	31.36	98.00	155
MBYT20/MBYT20V	20	40	35.5	15.5	18	25.0	35.0							243.04		108.78	200
MBYT22/MBYT22V	22	44				29.0	38.8							0.23 ~ 0.90 {2.3 ~ 9.2kgf · cm}	1.0	2.0	1.5

Notes

1. Teflon liner permanently bonded to race I.D.
 2. MBYT & MBYT-V weights are similar.
 3. Made to order only.
 4. No Load Rotational Breakaway Torque.
 Low Torque All Size: 0.02N · m MAX
 (Radial Clearance 0.05mm MAX)
- Please consult MINEBEA for availability of bearings in this series.

Bore size	~ 3	~ 6	~ 10	~ 18	~ 30
H7 Tolerance (μm)	+ 10 0	+ 12 0	+ 15 0	+ 18 0	+ 21 0