

## K5-R3

RoHS AEC-Q200

2023/03/22

### Outline

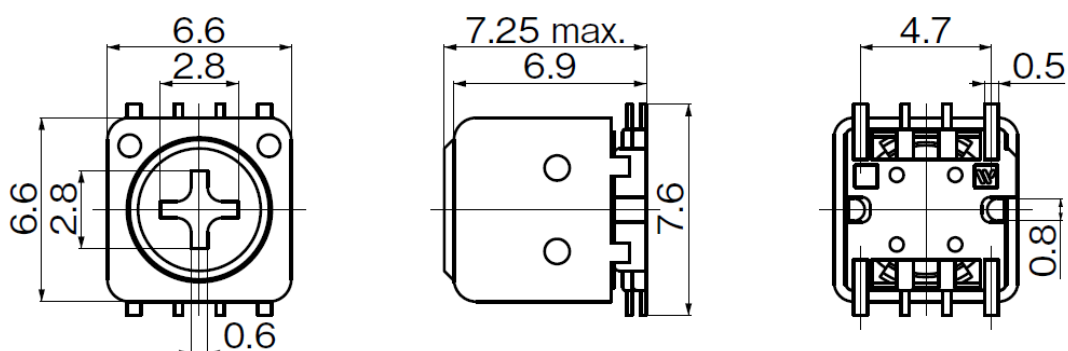


This transformer is used in the driving circuit of the in-vehicle ultrasonic sensor (corner sensor, back sensor).

### Features

- 1, A lineup of both variable and fixed structures
- 2, Variable type can adjust the inductance value and can absorb variations in microphones.
- 3, By improving the current value, we can cope with long-distance sensors and strengthen the external noise characteristics that are problematic.

### Dimensions



# K5-R3

RoHS AEC-Q200

2023/03/22

## Dimensions

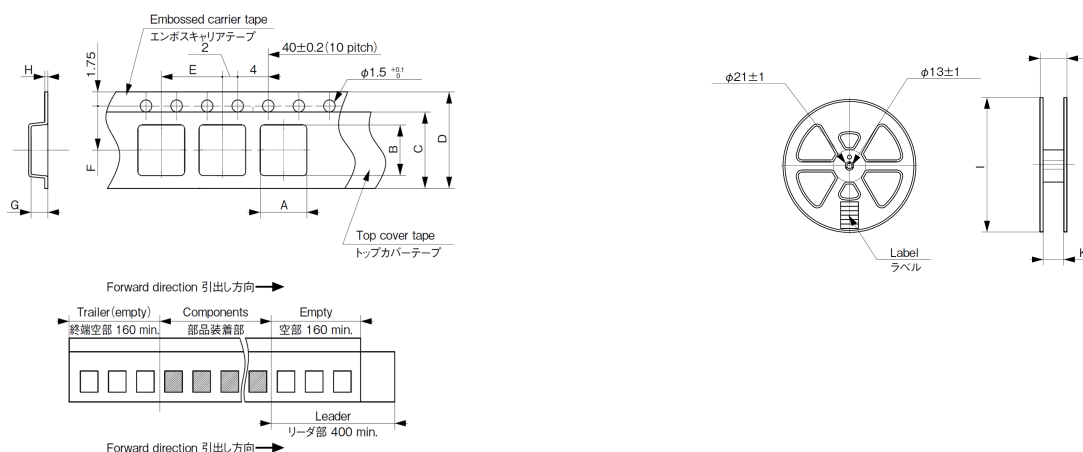
Unit

mm

## Specifications

Inductance lower limit [mH]	Inductance upper limit [mH]	Operational frequency lower limit [MHz]	Operational frequency upper limit [MHz]	Unloaded Q lower limit	Unloaded Q upper limit	Variable range of F lower limit [%]
1.0	4.0	0.04	0.10	40	60	-2
Variable range of F upper limit [%]		Variable range of L lower limit [%]		Variable range of L upper limit [%]		Internal capacitance
2		-5		5		-

## Package Dimension



O'tv	Tape Dimensions A	Tape Dimensions B	Tape Dimensions C	Tape Dimensions C	Tape Dimensions D	Tape Dimensions D
------	-------------------	-------------------	-------------------	-------------------	-------------------	-------------------

ミネベアミツミ株式会社

Copyright©MinebeaMitsumi Inc. All right reserved.

**K5-R3**

RoHS AEC-Q200

2023/03/22

[pcs./reel]	[mm]	[mm]	a [mm]	b [mm]	a [mm]	b [mm]
500	9.5	10.0	13.5	0.2	16	0.3

Tape Dimensions E a [mm]	Tape Dimensions E b [mm]	Tape Dimensions F a [mm]	Tape Dimensions F b [mm]	Tape Dimensions G [mm]	Tape Dimensions H a [mm]	Tape Dimensions H b [mm]
12	0.1	7.5	0.1	7.8	0.4	0.1

Reel Dimensions I a [mm]	Reel Dimensions I b [mm]	Reel Dimensions J a [mm]	Reel Dimensions J b [mm]	Reel Dimensions K a [mm]	Reel Dimensions K b [mm]
φ 330	φ 2	21.5	1	17.5	1