

KBP84

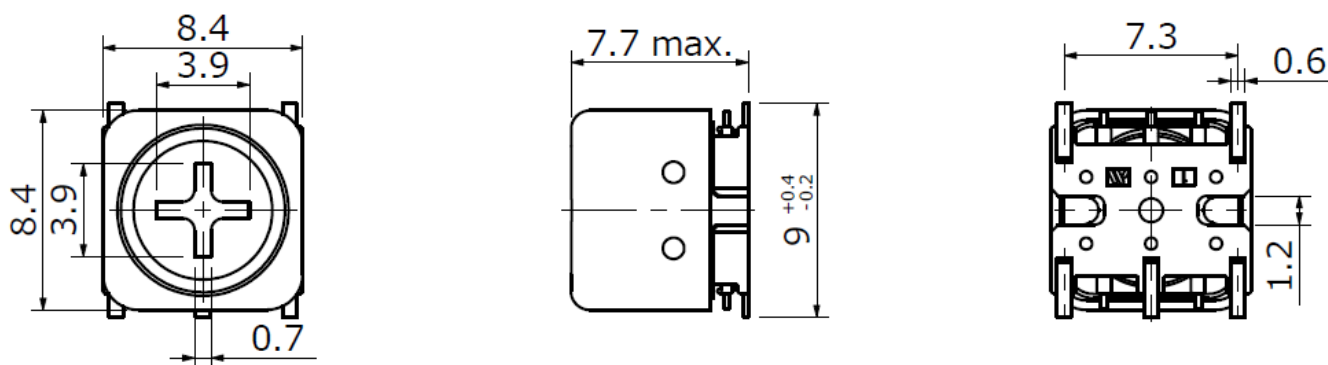
2023/03/22

Outline



This transformer is used in the driving circuit of the in-vehicle ultrasonic sensor (corner sensor, back sensor).

Dimensions



Dimensions
Unit

Specifications

Inductance lower limit [mH]	Inductance upper limit [mH]	Operational frequency lower limit [MHz]	Operational frequency upper limit [MHz]	Unloaded Q lower limit	Unloaded Q upper limit	Variable range of F lower limit [%]
0.1	3.0	0.01	0.10	10	70	-2
Variable range of F upper limit		Variable range of L lower limit		Variable range of L upper limit		Internal capacitance

KBP84

2023/03/22

[%]	[%]	[%]	
2	-5	5	-