

## C12-K4.5L

RoHS AEC-Q200 Shielded structure

2023/03/22

### Outline



High efficiency and Low DCR power inductor for battery-driven portable electric equipment power supplies (DC-DC converter, switching power supply) and other electronic equipment.

### Features

1. Low DCR
2. Low profile and high current
3. Magnetically shielded structure for electromagnetic interference

### Applications

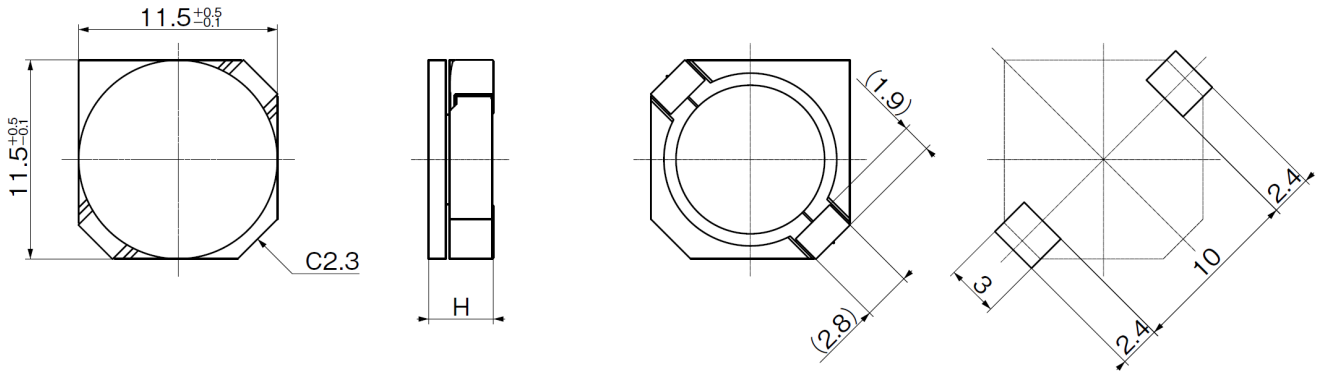
For DSCs, DVD/MP3 Players, Mobile Phones, Notebook Computers, LCD TVs, PDP TVs, Car Navigations, and other electronic equipment.

# C12-K4.5L

RoHS AEC-Q200 Shielded structure

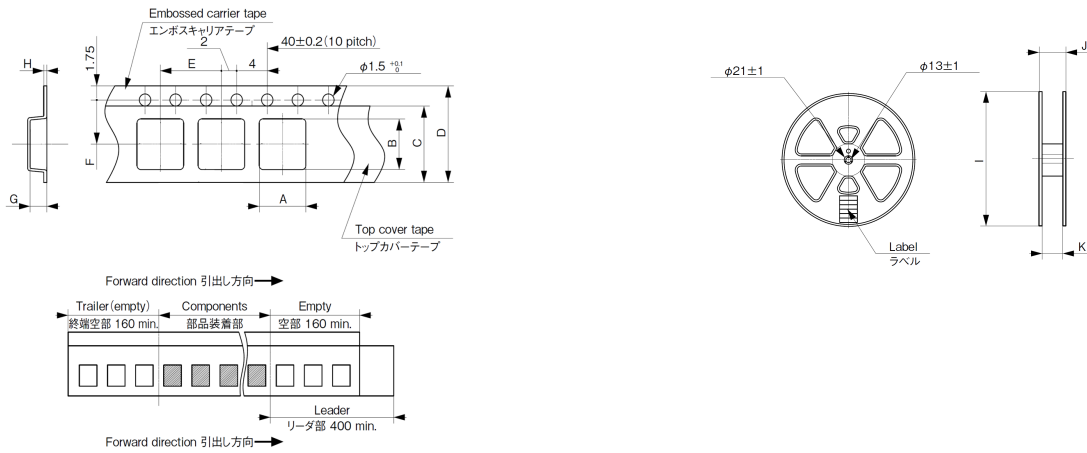
2023/03/22

## Dimensions



mm

## Package Dimension



Q'ty [pcs./reel]	Tape Dimensions A [mm]	Tape Dimensions B [mm]	Tape Dimensions C a [mm]	Tape Dimensions C b [mm]	Tape Dimensions D a [mm]	Tape Dimensions D b [mm]
500	13.6	13.6	21.0	0.2	24	0.3

Tape Dimensions E a	Tape Dimensions E b	Tape Dimensions F a	Tape Dimensions F b	Tape Dimensions G a	Tape Dimensions G b	Tape Dimensions H a

# C12-K4.5L

RoHS AEC-Q200 Shielded structure

2023/03/22

[mm]	[mm]	[mm]	[mm]	[mm]	[mm]	[mm]
16	0.1	11.5	0.1	4.5	0.2	0.4

Tape Dimensions H b [mm]	Reel Dimensions I a [mm]	Reel Dimensions I b [mm]	Reel Dimensions J b [mm]	Reel Dimensions K a [mm]	Reel Dimensions K b [mm]
0.10	φ 330	φ 2	1	25.5	1