

C12-K7.5L

RoHS AEC-Q200 Shielded structure

2023/03/22

Outline



High efficiency and Low DCR power inductor for battery-driven portable electric equipment power supplies (DC-DC converter, switching power supply) and other electronic equipment.

Features

1. Low DCR
2. Low profile and high current
3. Magnetically shielded structure for electromagnetic interference

Applications

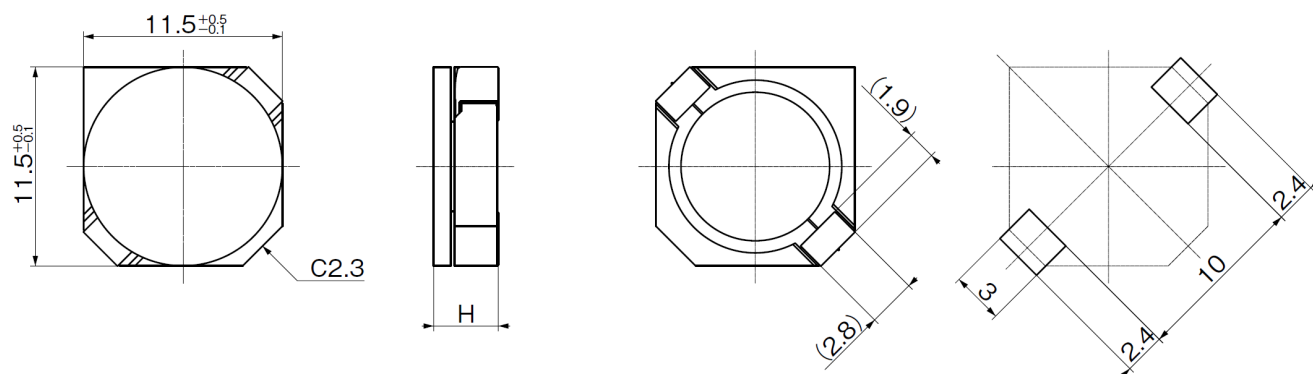
For DSCs, DVD/MP3 Players, Mobile Phones, Notebook Computers, LCD TVs, PDP TVs, Car Navigations, and other electronic equipment.

C12-K7.5L

RoHS AEC-Q200 Shielded structure

2023/03/22

Dimensions



mm

Specifications

Size(W) [mm]	Size(D) [mm]	Length(H) Max [mm]	Stamp	Inductance [micro H]	Inductance Tolerance lower limit [%]	Inductance Tolerance upper limit [%]
11.5	11.5	7.5	1R0	1.00	-30	30
11.5	11.5	7.5	1R5	1.50	-30	30
11.5	11.5	7.5	2R7	2.70	-30	30
11.5	11.5	7.5	3R9	3.90	-30	30
11.5	11.5	7.5	4R7	4.70	-30	30
11.5	11.5	7.5	6R8	6.80	-30	30
11.5	11.5	7.5	8R2	8.20	-30	30
11.5	11.5	7.5	100	10.00	-20	20
11.5	11.5	7.5	120	12.00	-20	20
11.5	11.5	7.5	150	15.00	-20	20
11.5	11.5	7.5	180	18.00	-20	20
11.5	11.5	7.5	220	22.00	-20	20
11.5	11.5	7.5	270	27.00	-20	20
11.5	11.5	7.5	330	33.00	-20	20
11.5	11.5	7.5	390	39.00	-20	20
11.5	11.5	7.5	470	47.00	-20	20

C12-K7.5L

RoHS AEC-Q200 Shielded structure

2023/03/22

11.5	11.5	7.5	560	56.00	-20	20
11.5	11.5	7.5	680	68.00	-20	20
11.5	11.5	7.5	820	82.00	-20	20
11.5	11.5	7.5	101	100.00	-20	20
11.5	11.5	7.5	121	120.00	-20	20
11.5	11.5	7.5	151	150.00	-20	20
11.5	11.5	7.5	471	470.00	-20	20
11.5	11.5	7.5	821	820.00	-20	20
11.5	11.5	7.5	102	1000.00	-20	20
11.5	11.5	7.5	222	2200.00	-20	20
11.5	11.5	7.5	332	3300.00	-20	20
11.5	11.5	7.5	472	4700.00	-20	20
11.5	11.5	7.5	562	5600.00	-20	20

Stamp	Inductance Test Freq. [KHz]	DC Resistance [m OHM]	Rated DC CurrentL=-10percent [A]	Rated DC Current deltaT=25K [A]
1R0	1	6.00	23.50	12.00
1R5	1	7.00	17.10	10.00
2R7	1	9.00	15.50	9.00
3R9	1	10.00	13.20	8.20
4R7	1	12.00	11.30	7.50
6R8	1	13.00	10.10	6.80
8R2	1	15.00	8.55	6.30
100	1	18.00	7.55	5.80
120	1	20.00	7.10	5.60
150	1	21.00	6.50	5.40
180	1	23.00	6.15	5.20
220	1	26.00	5.75	5.00
270	1	33.00	4.65	4.20
330	1	41.00	4.50	3.80
390	1	43.00	4.25	3.60
470	1	57.00	3.90	3.30
560	1	62.00	3.55	3.10
680	1	68.00	3.20	2.90
820	1	81.00	2.80	2.80
101	1	91.00	2.55	2.60
121	1	119.00	2.40	2.40
151	1	136.00	2.20	2.20
471	1	600.00	1.00	0.98

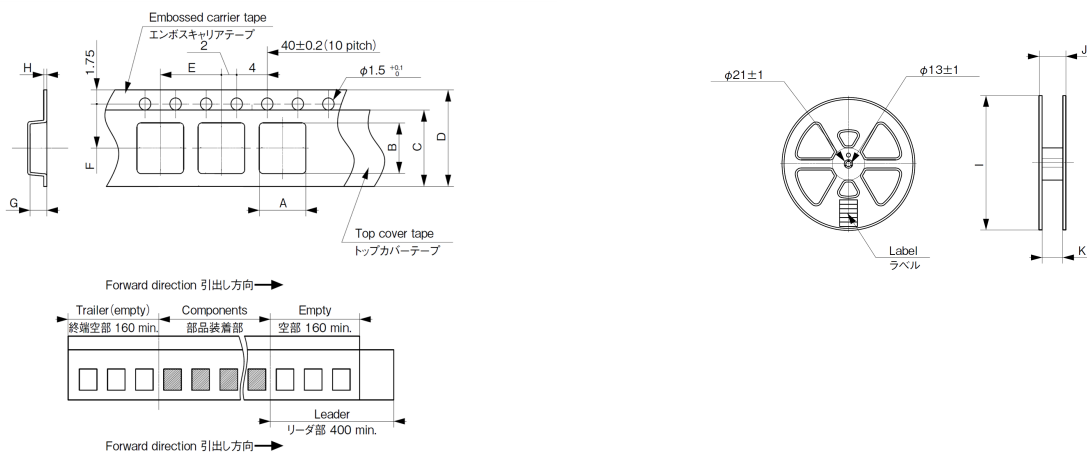
C12-K7.5L

RoHS AEC-Q200 Shielded structure

2023/03/22

821	1	900.00	0.77	0.75
102	1	1000.00	0.68	0.69
222	1	2700.00	0.44	0.40
332	1	3700.00	0.37	0.34
472	1	5000.00	0.33	0.28
562	1	5500.00	0.28	0.27

Package Dimension



Q'ty [pcs./reel]	Tape Dimensions A [mm]	Tape Dimensions B [mm]	Tape Dimensions C a [mm]	Tape Dimensions C b [mm]	Tape Dimensions D a [mm]	Tape Dimensions D b [mm]
400	12.4	12.4	21.0	0.2	24	0.3

Tape Dimensions E a [mm]	Tape Dimensions E b [mm]	Tape Dimensions F a [mm]	Tape Dimensions F b [mm]	Tape Dimensions G a [mm]	Tape Dimensions G b [mm]	Tape Dimensions H a [mm]
16	0.1	11.5	0.1	7.7	0.2	0.5

Tape Dimensions H b [mm]	Reel Dimensions I a [mm]	Reel Dimensions I b [mm]	Reel Dimensions J b [mm]	Reel Dimensions K a [mm]	Reel Dimensions K b [mm]
0.10	φ 330	φ 2	1	25.5	1