

## C4-P1.5R

RoHS AEC-Q200 Semi-Shielded structure

2023/03/22

### Outline



Compacts, low-height, and high current power inductor used in digital devices and mobile phones. Several dimensions are available.

### Features

1. Low DCR by magnetically shielded structure with magnetic resin.
2. Impact-resistant structure with wider terminals.
3. Non-Solder products by laser welding.

### Applications

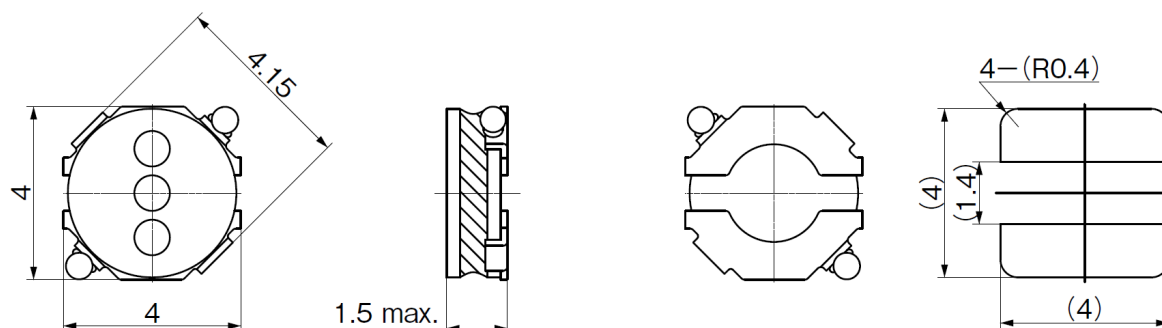
For DC-DC converter power supply of miniature portable devices (mobile phones, portable game equipment, DSC, DVC, etc.).

### Dimensions

## C4-P1.5R

RoHS AEC-Q200 Semi-Shielded structure

2023/03/22



mm

## Specifications

Size(W) [mm]	Size(D) [mm]	Length(H) Max [mm]	Stamp	Inductance [micro H]	Inductance Tolerance lower limit [%]	Inductance Tolerance upper limit [%]
4.0	4.0	1.5	1R0	1.00	-30	30
4.0	4.0	1.5	1R2	1.20	-30	30
4.0	4.0	1.5	1R8	1.80	-30	30
4.0	4.0	1.5	2R2	2.20	-30	30
4.0	4.0	1.5	3R3	3.30	-30	30
4.0	4.0	1.5	3R9	3.90	-30	30
4.0	4.0	1.5	4R7	4.70	-30	30
4.0	4.0	1.5	5R6	5.60	-30	30
4.0	4.0	1.5	6R8	6.80	-30	30
4.0	4.0	1.5	8R2	8.20	-30	30
4.0	4.0	1.5	100	10.00	-20	20
4.0	4.0	1.5	120	12.00	-20	20
4.0	4.0	1.5	150	15.00	-20	20
4.0	4.0	1.5	180	18.00	-20	20
4.0	4.0	1.5	220	22.00	-20	20
4.0	4.0	1.5	270	27.00	-20	20
4.0	4.0	1.5	330	33.00	-20	20
4.0	4.0	1.5	390	39.00	-20	20

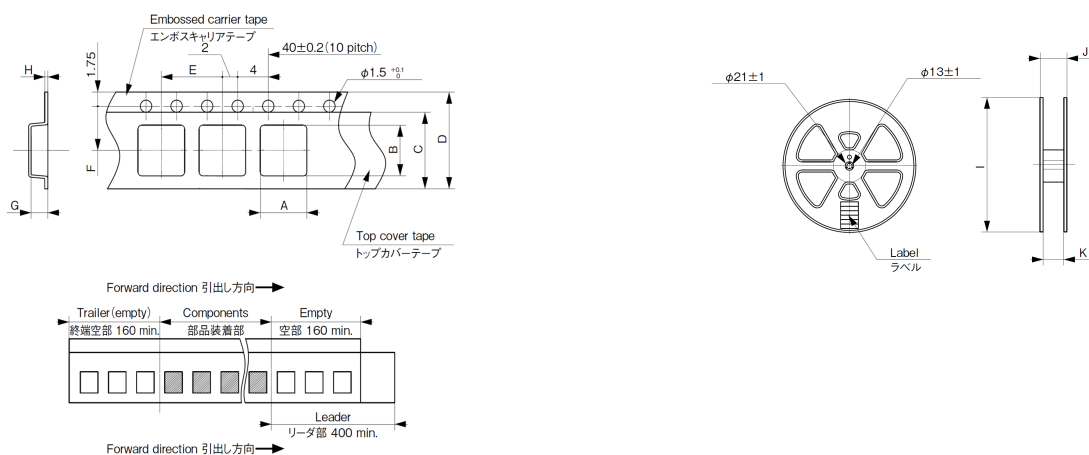
# C4-P1.5R

RoHS AEC-Q200 Semi-Shielded structure

2023/03/22

Stamp	Inductance Test Freq. [KHz]	DC Resistance [m OHM]	Rated DC Current L=-30 percent [A]	Rated DC Current deltaT=40K [A]
1R0	1	45.00	2.85	2.85
1R2	1	55.00	2.50	2.55
1R8	1	65.00	2.20	2.40
2R2	1	70.00	1.85	2.00
3R3	1	80.00	1.75	1.95
3R9	1	90.00	1.60	1.90
4R7	1	100.00	1.35	1.75
5R6	1	130.00	1.20	1.60
6R8	1	155.00	1.10	1.45
8R2	1	170.00	1.00	1.40
100	1	185.00	0.95	1.30
120	1	265.00	0.80	1.10
150	1	300.00	0.78	1.00
180	1	330.00	0.50	0.95
220	1	355.00	0.48	0.90
270	1	465.00	0.45	0.75
330	1	550.00	0.40	0.72
390	1	710.00	0.38	0.65

## Package Dimension



**C4-P1.5R**

RoHS AEC-Q200 Semi-Shielded structure

2023/03/22

Q'ty [pcs./reel]	Tape Dimensions A [mm]	Tape Dimensions B [mm]	Tape Dimensions C a [mm]	Tape Dimensions C b [mm]	Tape Dimensions D a [mm]	Tape Dimensions D b [mm]
4000	4.2	4.2	9.5	0.2	12	0.3

Tape Dimensions E a [mm]	Tape Dimensions E b [mm]	Tape Dimensions F a [mm]	Tape Dimensions F b [mm]	Tape Dimensions G a [mm]	Tape Dimensions G b [mm]	Tape Dimensions H a [mm]
8	0.1	5.5	0.1	1.7	1.7	0.3

Tape Dimensions H b [mm]	Reel Dimensions I a [mm]	Reel Dimensions I b [mm]	Reel Dimensions J b [mm]	Reel Dimensions K a [mm]	Reel Dimensions K b [mm]
0.05	φ 330	φ 2	1	13.5	1