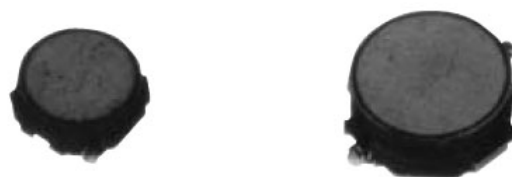


C4-P1.8R

RoHS AEC-Q200 Semi-Shielded structure

2023/03/22

Outline



Compacts, low-height, and high current power inductor used in digital devices and mobile phones. Several dimensions are available.

Features

1. Low DCR by magnetically shielded structure with magnetic resin.
2. Impact-resistant structure with wider terminals.
3. Non-Solder products by laser welding.

Applications

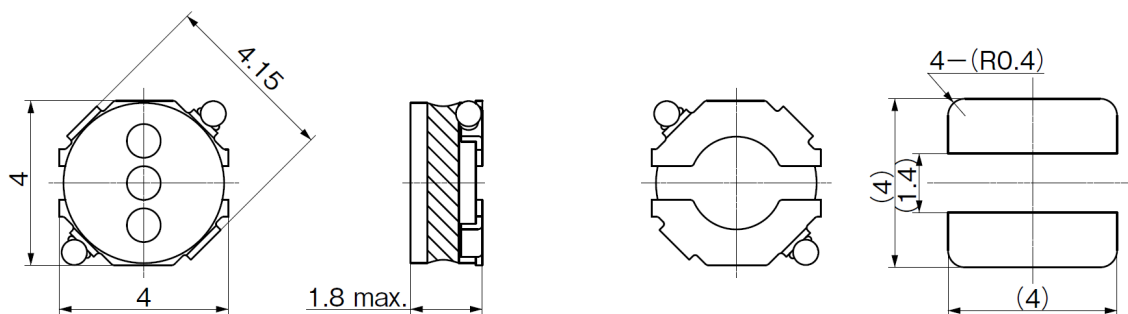
For DC-DC converter power supply of miniature portable devices (mobile phones, portable game equipment, DSC, DVC, etc.).

Dimensions

C4-P1.8R

RoHS AEC-Q200 Semi-Shielded structure

2023/03/22



Recommended land patterns

mm

Specifications

Size(W) [mm]	Size(D) [mm]	Length(H) Max [mm]	Stamp	Inductance [micro H]	Inductance Tolerance lower limit [%]	Inductance Tolerance upper limit [%]
4.0	4.0	1.8	1R2	1.20	-30	30
4.0	4.0	1.8	1R5	1.50	-30	30
4.0	4.0	1.8	1R8	1.80	-30	30
4.0	4.0	1.8	2R7	2.70	-30	30
4.0	4.0	1.8	3R3	3.30	-30	30
4.0	4.0	1.8	3R9	3.90	-30	30
4.0	4.0	1.8	4R7	4.70	-30	30
4.0	4.0	1.8	5R6	5.60	-30	30
4.0	4.0	1.8	6R8	6.80	-30	30
4.0	4.0	1.8	8R2	8.20	-30	30
4.0	4.0	1.8	100	10.00	-20	20
4.0	4.0	1.8	120	12.00	-20	20
4.0	4.0	1.8	150	15.00	-20	20
4.0	4.0	1.8	180	18.00	-20	20
4.0	4.0	1.8	220	22.00	-20	20
4.0	4.0	1.8	270	27.00	-20	20
4.0	4.0	1.8	330	33.00	-20	20
4.0	4.0	1.8	390	39.00	-20	20

C4-P1.8R

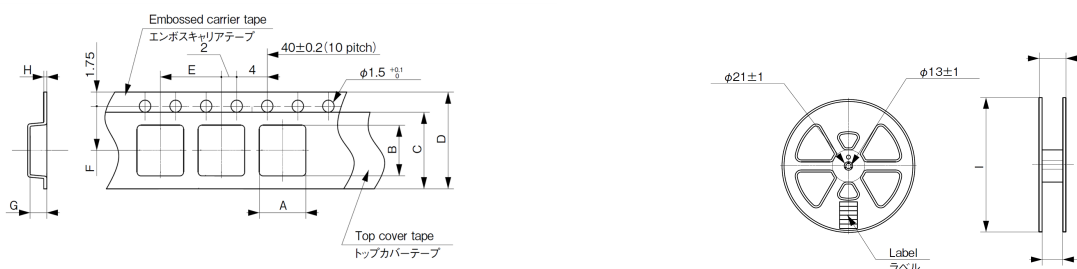
RoHS AEC-Q200 Semi-Shielded structure

2023/03/22

4.0	4.0	1.8	470	47.00	-20	20
4.0	4.0	1.8	560	56.00	-20	20
4.0	4.0	1.8	680	68.00	-20	20

Stamp	Inductance Test Freq. [KHz]	DC Resistance [m OHM]	Rated DC CurrentL=-30 percent [A]	Rated DC Current deltaT=40K [A]
1R2	1	40.00	2.70	2.65
1R5	1	45.00	2.20	2.60
1R8	1	50.00	2.00	2.35
2R7	1	55.00	1.70	2.30
3R3	1	65.00	1.60	2.20
3R9	1	70.00	1.50	2.00
4R7	1	80.00	1.40	1.95
5R6	1	85.00	1.25	1.80
6R8	1	125.00	1.20	1.70
8R2	1	135.00	1.10	1.55
100	1	155.00	0.95	1.40
120	1	185.00	0.90	1.25
150	1	250.00	0.80	1.10
180	1	300.00	0.70	1.00
220	1	360.00	0.65	0.90
270	1	395.00	0.60	0.85
330	1	485.00	0.50	0.83
390	1	540.00	0.45	0.80
470	1	630.00	0.43	0.70
560	1	780.00	0.40	0.60
680	1	920.00	0.37	0.55

Package Dimension



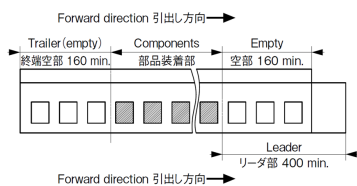
ミネベアミツミ株式会社

Copyright©MinebeaMitsumi Inc. All right reserved.

C4-P1.8R

RoHS AEC-Q200 Semi-Shielded structure

2023/03/22



Q'ty [pcs./reel]	Tape Dimensions A [mm]	Tape Dimensions B [mm]	Tape Dimensions C a [mm]	Tape Dimensions C b [mm]	Tape Dimensions D a [mm]	Tape Dimensions D b [mm]
3000	4.2	4.2	9.5	0.2	12	0.3

Tape Dimensions E a [mm]	Tape Dimensions E b [mm]	Tape Dimensions F a [mm]	Tape Dimensions F b [mm]	Tape Dimensions G a [mm]	Tape Dimensions G b [mm]	Tape Dimensions H a [mm]
8	0.1	5.5	0.1	2.1	2.1	0.3

Tape Dimensions H b [mm]	Reel Dimensions I a [mm]	Reel Dimensions I b [mm]	Reel Dimensions J b [mm]	Reel Dimensions K a [mm]	Reel Dimensions K b [mm]
0.05	φ 330	φ 2	1	13.5	1