

C5-K3LGA

RoHS AEC-Q200 Shielded structure

2023/03/22

Outline



High efficiency and Low DCR power inductor for battery-driven portable electric equipment power supplies (DC-DC converter, switching power supply) and other electronic equipment.

Features

1. Low DCR
2. Low profile and high current
3. Magnetically shielded structure for electromagnetic interference

Applications

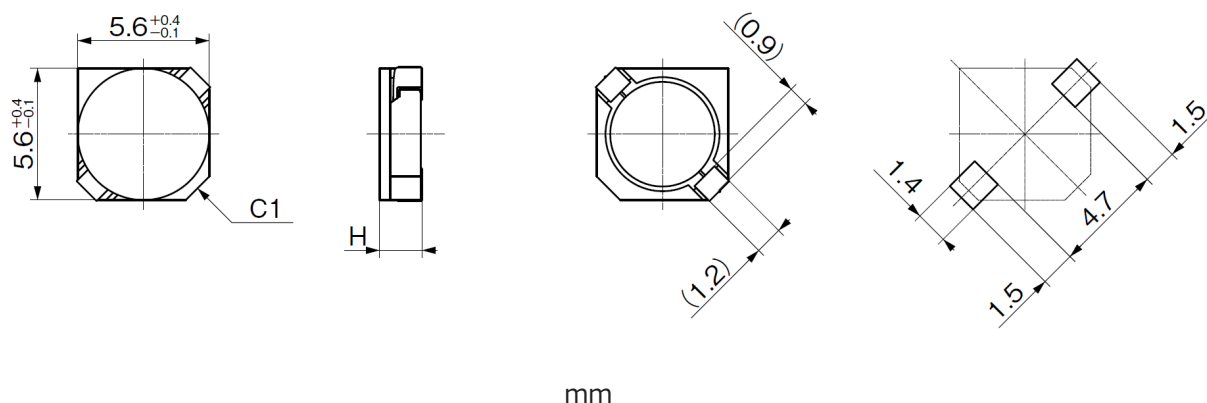
For DSCs, DVD/MP3 Players, Mobile Phones, Notebook Computers, LCD TVs, PDP TVs, Car Navigations, and other electronic equipment.

C5-K3LGA

RoHS AEC-Q200 Shielded structure

2023/03/22

Dimensions



Specifications

Size(W) [mm]	Size(D) [mm]	Length(H) Max [mm]	Stamp	Inductance [micro H]	Inductance Tolerance lower limit [%]	Inductance Tolerance upper limit [%]
5.6	5.6	3.0	1R2	1.20	-30	30
5.6	5.6	3.0	1R8	1.80	-30	30
5.6	5.6	3.0	2R2	2.20	-30	30
5.6	5.6	3.0	3R3	3.30	-30	30
5.6	5.6	3.0	4R7	4.70	-30	30
5.6	5.6	3.0	5R6	5.60	-30	30
5.6	5.6	3.0	6R8	6.80	-30	30
5.6	5.6	3.0	100	10.00	-30	30
5.6	5.6	3.0	120	12.00	-30	30
5.6	5.6	3.0	150	15.00	-30	30
5.6	5.6	3.0	220	22.00	-20	20
5.6	5.6	3.0	330	33.00	-20	20
5.6	5.6	3.0	470	47.00	-20	20
5.6	5.6	3.0	680	68.00	-20	20
5.6	5.6	3.0	101	100.00	-20	20

Inductance Test Freq.	DC Resistance	Rated DC	Rated DC
-----------------------	---------------	----------	----------

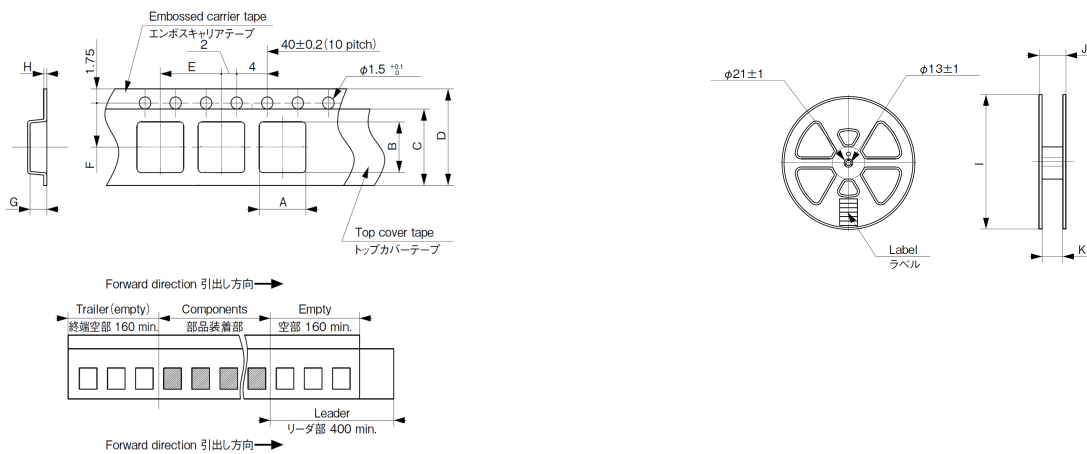
C5-K3LGA

RoHS AEC-Q200 Shielded structure

2023/03/22

Stamp	[KHz]	[m OHM]	Current L=-30 percent [A]	Current delta I =40K [A]
1R2	1	17.00	5.00	4.00
1R8	1	21.00	4.50	3.70
2R2	1	25.00	4.00	3.50
3R3	1	29.00	3.60	3.20
4R7	1	33.00	3.20	2.80
5R6	1	46.00	2.90	2.50
6R8	1	52.00	2.50	2.40
100	1	62.00	2.10	2.00
120	1	77.00	2.00	1.90
150	1	84.00	1.80	1.80
220	1	183.00	1.40	1.30
330	1	224.00	1.20	1.10
470	1	270.00	1.00	1.00
680	1	470.00	0.80	0.70
101	1	590.00	0.65	0.55

Package Dimension



Q'ty [pcs./reel]	Tape Dimensions A [mm]	Tape Dimensions B [mm]	Tape Dimensions C a [mm]	Tape Dimensions C b [mm]	Tape Dimensions D a [mm]	Tape Dimensions D b [mm]
2000	6.1	6.1	9.5	0.2	12	0.3

C5-K3LGA

RoHS AEC-Q200 Shielded structure

2023/03/22

Tape Dimensions E a [mm]	Tape Dimensions E b [mm]	Tape Dimensions F a [mm]	Tape Dimensions F b [mm]	Tape Dimensions G a [mm]	Tape Dimensions G b [mm]	Tape Dimensions H a [mm]
8	0.1	5.5	0.1	3.2	0.2	0.4

Tape Dimensions H b [mm]	Reel Dimensions I a [mm]	Reel Dimensions I b [mm]	Reel Dimensions J b [mm]	Reel Dimensions K a [mm]	Reel Dimensions K b [mm]
0.10	φ 330	φ 2	1	13.5	1