

## C6-K3LG

RoHS AEC-Q200 Shielded structure

2023/03/22

### Outline



High efficiency and Low DCR power inductor for battery-driven portable electric equipment power supplies (DC-DC converter, switching power supply) and other electronic equipment.

### Features

1. Low DCR
2. Low profile and high current
3. Magnetically shielded structure for electromagnetic interference

### Applications

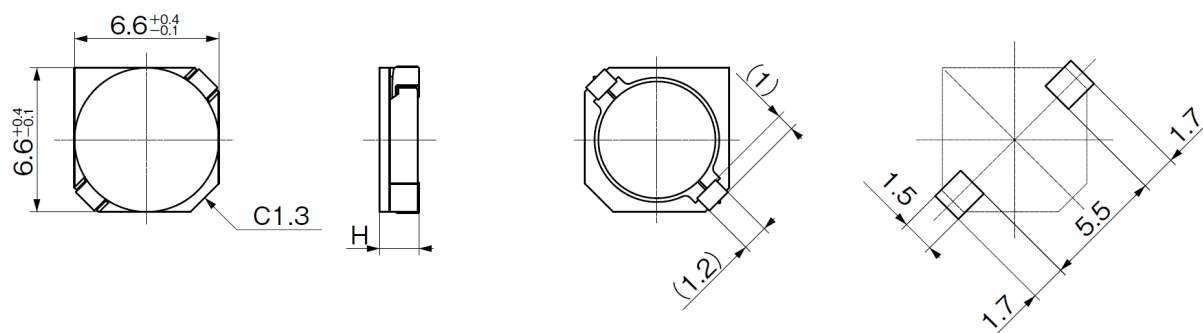
For DSCs, DVD/MP3 Players, Mobile Phones, Notebook Computers, LCD TVs, PDP TVs, Car Navigations, and other electronic equipment.

## C6-K3LG

RoHS AEC-Q200 Shielded structure

2023/03/22

## Dimensions



mm

## Specifications

Size(W) [mm]	Size(D) [mm]	Length(H) Max [mm]	Stamp	Inductance [micro H]	Inductance Tolerance lower limit [%]	Inductance Tolerance upper limit [%]
6.6	6.6	3.2	1R0	1.00	-30	30
6.6	6.6	3.2	1R8	1.80	-30	30
6.6	6.6	3.2	2R5	2.50	-30	30
6.6	6.6	3.2	3R3	3.30	-30	30
6.6	6.6	3.2	4R5	4.50	-30	30
6.6	6.6	3.2	5R6	5.60	-30	30
6.6	6.6	3.2	6R8	6.80	-30	30
6.6	6.6	3.2	8R5	8.50	-30	30
6.6	6.6	3.2	100	10.00	-30	30
6.6	6.6	3.2	120	12.00	-30	30
6.6	6.6	3.2	160	16.00	-30	30
6.6	6.6	3.2	180	18.00	-20	20
6.6	6.6	3.2	220	22.00	-20	20
6.6	6.6	3.2	270	27.00	-20	20
6.6	6.6	3.2	330	33.00	-20	20
6.6	6.6	3.2	390	39.00	-20	20
6.6	6.6	3.2	470	47.00	-20	20

## C6-K3LG

RoHS AEC-Q200 Shielded structure

2023/03/22

6.6	6.6	3.2	560	56.00	-20	20
6.6	6.6	3.2	680	68.00	-20	20
6.6	6.6	3.2	820	82.00	-20	20
6.6	6.6	3.2	101	100.00	-20	20
6.6	6.6	3.2	471	470.00	-20	20
6.6	6.6	3.2	821	820.00	-20	20
6.6	6.6	3.2	102	1000.00	-20	20

Stamp	Inductance Test Freq. [KHz]	DC Resistance [m OHM]	Rated DC CurrentL=-30 percent [A]	Rated DC Current deltaT=40K [A]
1R0	1	8.00	6.30	6.30
1R8	1	10.00	5.30	5.20
2R5	1	13.00	4.80	4.80
3R3	1	16.00	4.00	4.50
4R5	1	20.00	3.50	3.75
5R6	1	24.00	3.10	3.60
6R8	1	27.00	2.80	3.30
8R5	1	37.00	2.50	3.00
100	1	41.00	2.30	2.70
120	1	45.00	2.10	2.60
160	1	70.00	1.90	2.35
180	1	75.00	1.75	2.25
220	1	89.00	1.60	2.10
270	1	92.00	1.50	2.00
330	1	123.00	1.25	1.60
390	1	157.00	1.20	1.40
470	1	173.00	1.10	1.30
560	1	213.00	1.00	1.25
680	1	235.00	0.90	1.15
820	1	350.00	0.80	0.95
101	1	387.00	0.70	0.90
471	1	2200.00	0.32	0.33
821	1	2900.00	0.24	0.30
102	1	3800.00	0.21	0.24

## Package Dimension

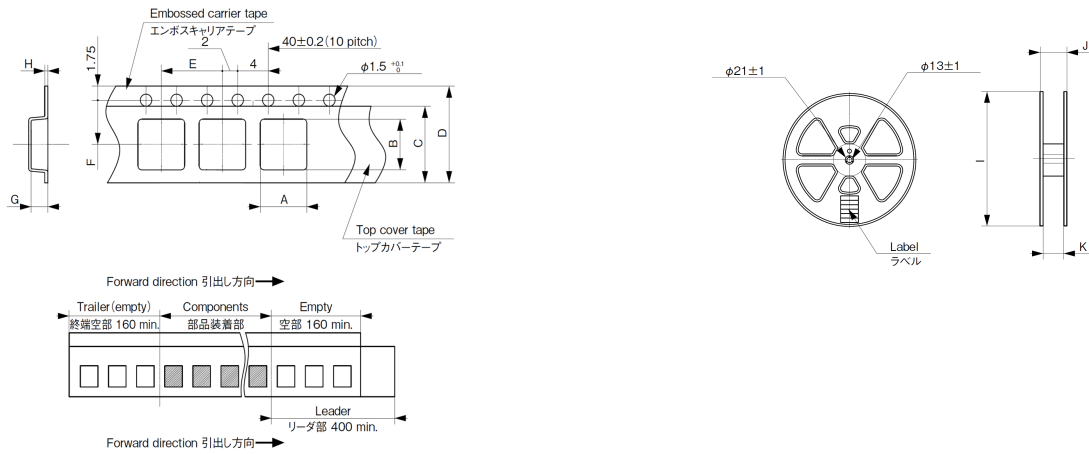
ミネベアミツミ株式会社

Copyright©MinebeaMitsumi Inc. All right reserved.

# C6-K3LG

RoHS AEC-Q200 Shielded structure

2023/03/22



Q'ty [pcs./reel]	Tape Dimensions A [mm]	Tape Dimensions B [mm]	Tape Dimensions C a [mm]	Tape Dimensions C b [mm]	Tape Dimensions D a [mm]	Tape Dimensions D b [mm]
1000	7.2	7.2	13.5	0.2	16	0.3

Tape Dimensions E a [mm]	Tape Dimensions E b [mm]	Tape Dimensions F a [mm]	Tape Dimensions F b [mm]	Tape Dimensions G a [mm]	Tape Dimensions G b [mm]	Tape Dimensions H a [mm]
12	0.1	7.5	0.1	3.4	0.2	0.3

Tape Dimensions H b [mm]	Reel Dimensions I a [mm]	Reel Dimensions I b [mm]	Reel Dimensions J b [mm]	Reel Dimensions K a [mm]	Reel Dimensions K b [mm]
0.10	φ 330	φ 2	1	17.5	1