

## C6-K5LGA

RoHS AEC-Q200 Shielded structure

2023/03/22

### Outline



High efficiency and Low DCR power inductor for battery-driven portable electric equipment power supplies (DC-DC converter, switching power supply) and other electronic equipment.

### Features

1. Low DCR
2. Low profile and high current
3. Magnetically shielded structure for electromagnetic interference

### Applications

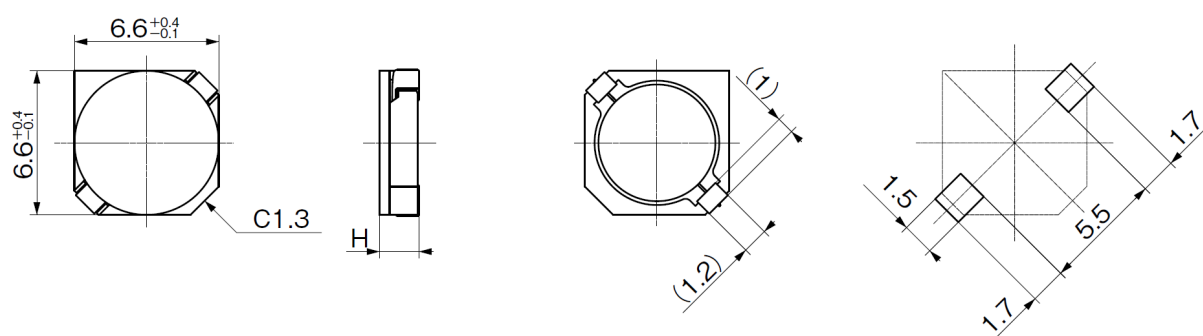
For DSCs, DVD/MP3 Players, Mobile Phones, Notebook Computers, LCD TVs, PDP TVs, Car Navigations, and other electronic equipment.

## C6-K5LGA

RoHS AEC-Q200 Shielded structure

2023/03/22

## Dimensions



mm

## Specifications

Size(W) [mm]	Size(D) [mm]	Length(H) Max [mm]	Stamp	Inductance [micro H]	Inductance Tolerance lower limit [%]	Inductance Tolerance upper limit [%]
6.6	6.6	5.0	1R2	1.20	-30	30
6.6	6.6	5.0	1R8	1.80	-30	30
6.6	6.6	5.0	2R4	2.40	-30	30
6.6	6.6	5.0	3R3	3.30	-30	30
6.6	6.6	5.0	4R3	4.30	-30	30
6.6	6.6	5.0	5R1	5.10	-30	30
6.6	6.6	5.0	6R2	6.20	-30	30
6.6	6.6	5.0	8R2	8.20	-30	30
6.6	6.6	5.0	100	10.00	-30	30
6.6	6.6	5.0	150	15.00	-30	30
6.6	6.6	5.0	220	22.00	-20	20
6.6	6.6	5.0	330	33.00	-20	20
6.6	6.6	5.0	470	47.00	-20	20
6.6	6.6	5.0	560	56.00	-20	20
6.6	6.6	5.0	680	68.00	-20	20
6.6	6.6	5.0	820	82.00	-20	20
6.6	6.6	5.0	101	100.00	-20	20

# C6-K5LGA

RoHS AEC-Q200 Shielded structure

2023/03/22

6.6	6.6	5.0	471	470.00	-20	20
6.6	6.6	5.0	821	820.00	-20	20
6.6	6.6	5.0	102	1000.00	-20	20
6.6	6.6	5.0	222	2200.00	-20	20
6.6	6.6	5.0	332	3300.00	-20	20

Stamp	Inductance Test Freq. [KHz]	DC Resistance [m OHM]	Rated DC CurrentL=-30 percent [A]	Rated DC Current deltaT=40K [A]
1R2	1	10.00	9.00	6.50
1R8	1	12.00	8.00	6.00
2R4	1	14.00	7.00	5.80
3R3	1	18.00	6.00	5.40
4R3	1	22.00	5.20	4.30
5R1	1	25.00	4.80	4.00
6R2	1	30.00	4.50	3.80
8R2	1	32.00	4.20	3.40
100	1	35.00	3.60	3.20
150	1	60.00	2.80	2.40
220	1	90.00	2.40	2.10
330	1	130.00	2.00	1.80
470	1	155.00	1.80	1.60
560	1	165.00	1.60	1.50
680	1	225.00	1.40	1.30
820	1	280.00	1.20	1.10
101	1	390.00	1.10	0.90
471	1	1400.00	0.53	0.40
821	1	3400.00	0.40	0.26
102	1	3700.00	0.37	0.25
222	1	8600.00	0.25	0.16
332	1	10700.00	0.23	0.14

## Package Dimension



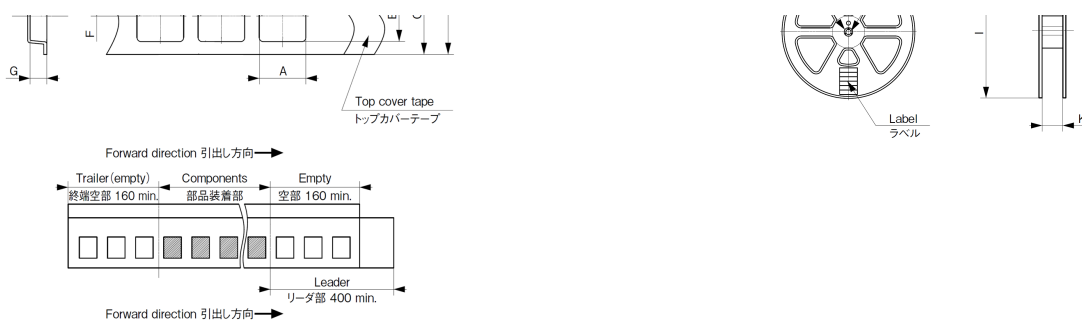
ミネベアミツミ株式会社

Copyright©MinebeaMitsumi Inc. All right reserved.

# C6-K5LGA

RoHS AEC-Q200 Shielded structure

2023/03/22



Q'ty [pcs./reel]	Tape Dimensions A [mm]	Tape Dimensions B [mm]	Tape Dimensions C a [mm]	Tape Dimensions C b [mm]	Tape Dimensions D a [mm]	Tape Dimensions D b [mm]
700	7.2	7.2	13.5	0.2	16	0.3

Tape Dimensions E a [mm]	Tape Dimensions E b [mm]	Tape Dimensions F a [mm]	Tape Dimensions F b [mm]	Tape Dimensions G a [mm]	Tape Dimensions G b [mm]	Tape Dimensions H a [mm]
12	0.1	7.5	0.1	5.3	0.2	0.4

Tape Dimensions H b [mm]	Reel Dimensions I a [mm]	Reel Dimensions I b [mm]	Reel Dimensions J b [mm]	Reel Dimensions K a [mm]	Reel Dimensions K b [mm]
0.10	φ 330	φ 2	1	17.5	1