

C6-K5RA

RoHS AEC-Q200 Shielded structure

2023/03/22

Outline



High efficiency and Low DCR power inductor for battery-driven portable electric equipment power supplies (DC-DC converter, switching power supply) and other electronic equipment.

Features

1. Low DCR
2. Low profile and high current
3. Magnetically shielded structure for electromagnetic interference

Applications

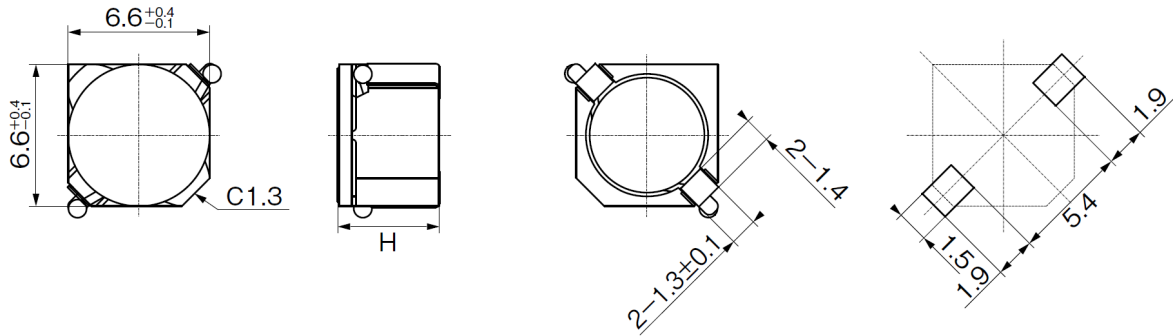
For DSCs, DVD/MP3 Players, Mobile Phones, Notebook Computers, LCD TVs, PDP TVs, Car Navigations, and other electronic equipment.

C6-K5RA

RoHS AEC-Q200 Shielded structure

2023/03/22

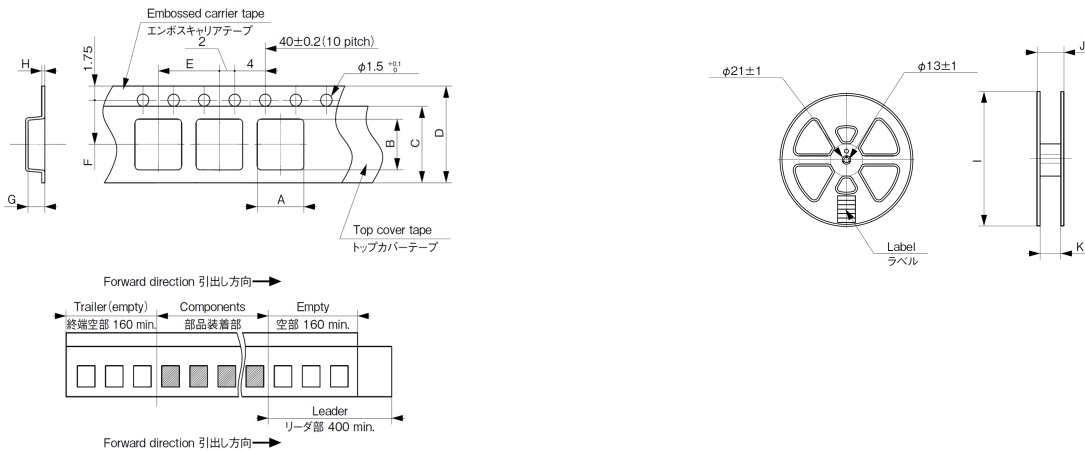
Dimensions



Recommended land patterns

mm

Package Dimension



Q'ty [pcs./reel]	Tape Dimensions A [mm]	Tape Dimensions B [mm]	Tape Dimensions C a [mm]	Tape Dimensions C b [mm]	Tape Dimensions D a [mm]	Tape Dimensions D b [mm]
700	7.2	7.2	13.5	0.2	16	0.3

Tape Dimensions E a	Tape Dimensions E h	Tape Dimensions F a	Tape Dimensions F h	Tape Dimensions G a	Tape Dimensions G h	Tape Dimensions H a
------------------------	------------------------	------------------------	------------------------	------------------------	------------------------	------------------------

C6-K5RA

RoHS AEC-Q200 Shielded structure

2023/03/22

[mm]	[mm]	[mm]	[mm]	[mm]	[mm]	[mm]
12	0.1	7.5	0.1	5.3	0.2	0.4

Tape Dimensions H b [mm]	Reel Dimensions I a [mm]	Reel Dimensions I b [mm]	Reel Dimensions J b [mm]	Reel Dimensions K a [mm]	Reel Dimensions K b [mm]
0.10	φ 330	φ 2	1	17.5	1