

TR14-A-S

RoHS AEC-Q200

2023/03/22

Outline

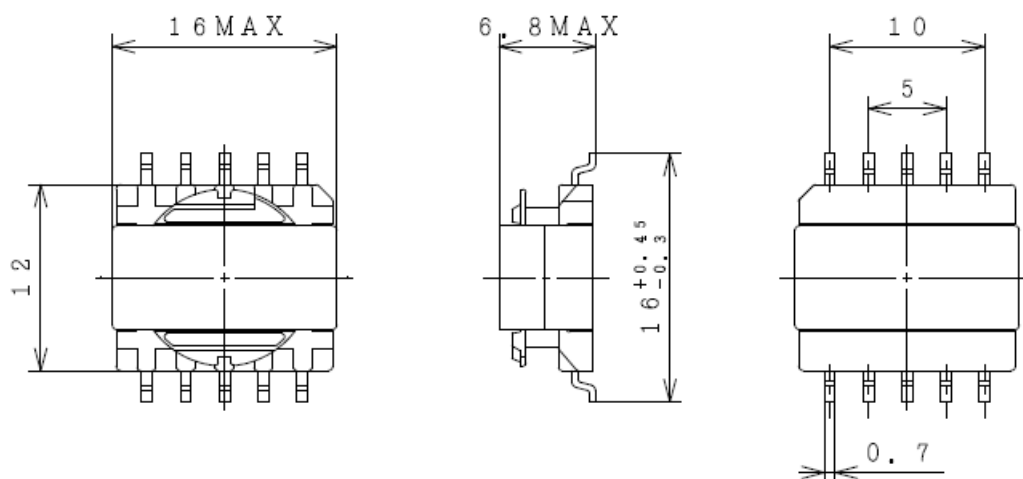


This transformer is used for DC/DC converters, switching power supplies, and IGBT isolation transformers.

Features

- 1, It is highly efficient and can cope with high power.
- 3, A closed magnetic circuit structure is adopted to reduce electromagnetic interference.

Dimensions



TR14-A-S

RoHS AEC-Q200

2023/03/22

Dimensions

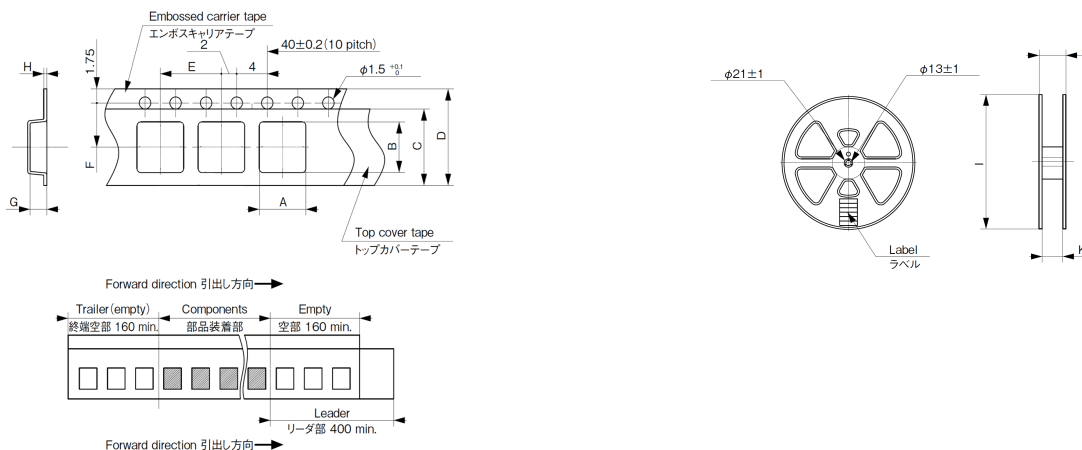
Unit

mm

Specifications

Operating Frequency upper limit [KHz]	Power capacity [W]
500	5.0

Package Dimension



Q'ty [pcs./reel]	Tape Dimensions A [mm]	Tape Dimensions B [mm]	Tape Dimensions C a [mm]	Tape Dimensions C b [mm]	Tape Dimensions D a [mm]	Tape Dimensions D b [mm]
300	18.0	17.6	25.5	0.2	32	0.3

Tape Dimensions E a	Tape Dimensions E b	Tape Dimensions F a	Tape Dimensions F b	Tape Dimensions G [mm]	Tape Dimensions H a	Tape Dimensions H b
---------------------	---------------------	---------------------	---------------------	------------------------	---------------------	---------------------

TR14-A-S

RoHS AEC-Q200

2023/03/22

[mm]	[mm]	[mm]	[mm]	[mm]	[mm]	[mm]
24	0.1	14.2	0.1	7.0	0.5	0.05

Reel Dimensions I a [mm]	Reel Dimensions I b [mm]	Reel Dimensions J a [mm]	Reel Dimensions J b [mm]	Reel Dimensions K a [mm]	Reel Dimensions K b [mm]
φ 330	φ 2	37.4	1	33.4	1