

CDM-J83, CDM-K35, CDM-J97, CDM-K33

2023/03/22

Features



1. Applicable to automotive antennas for radio-frequency signal transmission.
2. Include a die casting body (shell) that can contribute to the robust structure.
3. Selectable variations of mounting requirements. (Right angle / Straight / Standard / Low height)
4. Each coding (mating key) is available.
5. Compatible with Pin-in-Paste.
6. Compliant with RoHS Directive.

Specifications

Electric Characteristics

Rated Voltage : 60V DC max.

Rated Current : 1A DC max.

Characteristic Impedance : 50Ω

Insertion Loss :

0.15dB max. (0 to 1GHz)

0.25dB max. (1 to 2.5GHz)

0.35dB max. (2.5 to 4GHz)

Return Loss :

CDM-J83, CDM-K35, CDM-J97, CDM-K33

2023/03/22

15.6dB min. (0 to 2GHz)

14.0dB min. (2 to 4GHz)

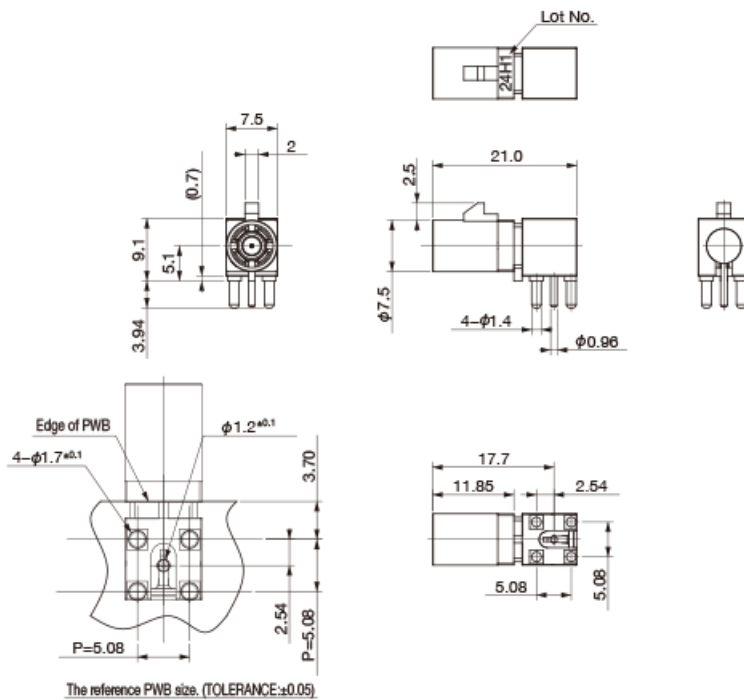
Mechanical Characteristics

Life (Mating Cycle) : 25 times

Total Insertion Force : $\leq 25\text{N}$ Total Withdrawal Force : $\leq 25\text{N}$

Overall View

CDM-J83

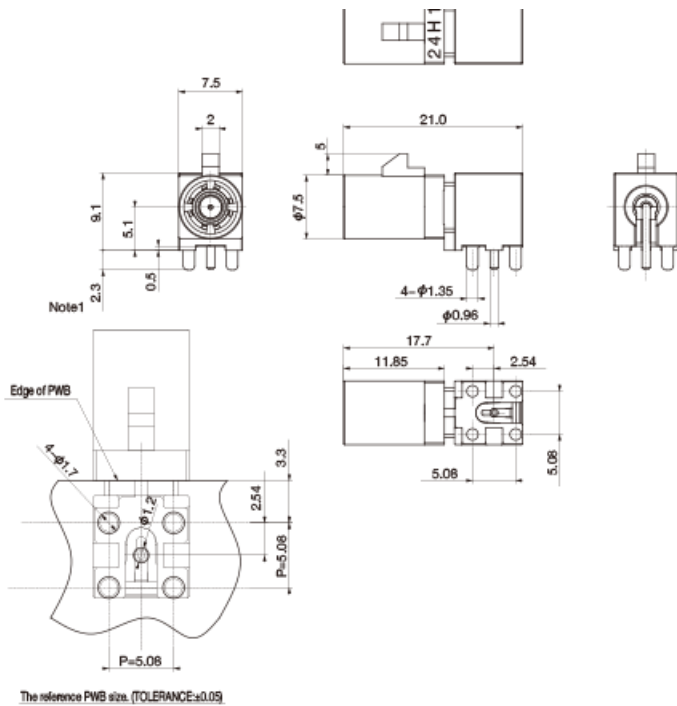


CDM-K35



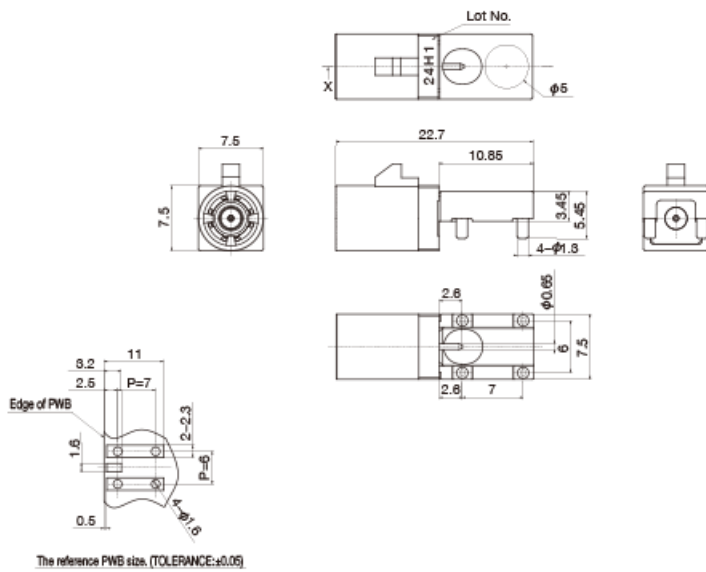
CDM-J83, CDM-K35, CDM-J97, CDM-K33

2023/03/22



Note1 : Soldering lead 3mm type is also available

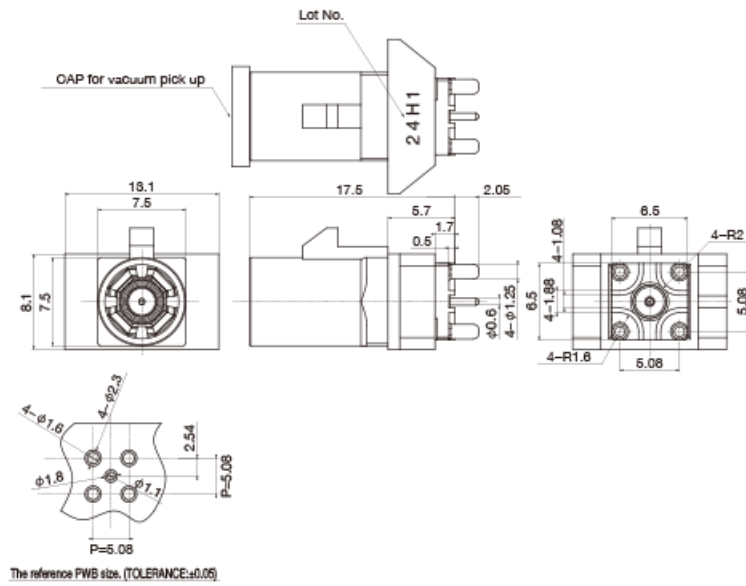
CDM-J97



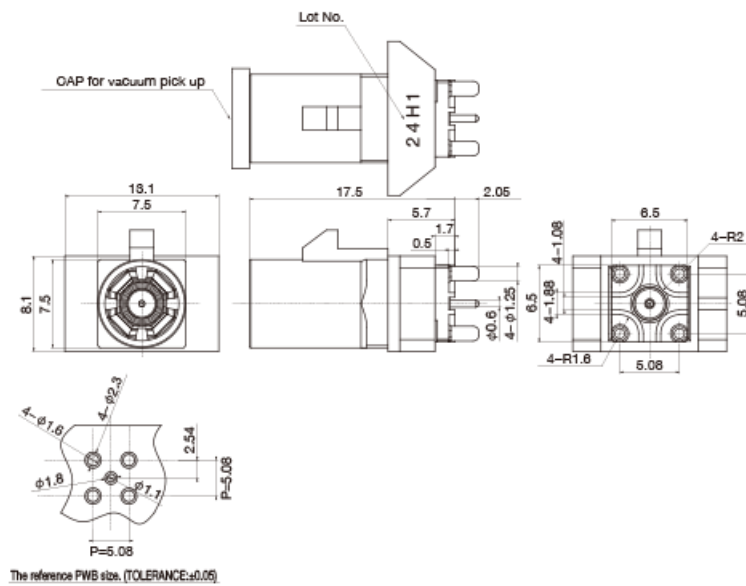
CDM-K33

CDM-J83, CDM-K35, CDM-J97, CDM-K33

2023/03/22



CDM-K33N



Unit:mm

NOTE

ミネベアミツミ株式会社

Copyright©MinebeaMitsumi Inc. All right reserved.

CDM-J83, CDM-K35, CDM-J97, CDM-K33

2023/03/22

NOTE

*Any products mentioned in this catalog are subject to any modification in their appearance and others for improvements without prior notification.

*The details listed here are not a guarantee of the individual products at the time of ordering. When using the products, you will be asked to check their specifications.