

Features



- 1.Applicable to automotive antennas for radio-frequency signal transmission.
- 2.Weight saving model whith a metal stamping shell.
- 3.Each coding (mating key) is available.
- 4.Compliant with RoHS Directive.

Specifications

Electric Characteristics

Rated Voltage :60V DC max.

Rated Current :1A DC max.

Characteristic Impedance :50Ω

Insertion Loss :

0.15dB max. (0 to 1GHz)

0.25dB max. (1 to 2.5GHz)

0.35dB max. (2.5 to 4GHz)

Return Loss :

15.6dB min. (0 to 2GHz)

14.0dB min. (2 to 4GHz)

Mechanical Characteristics

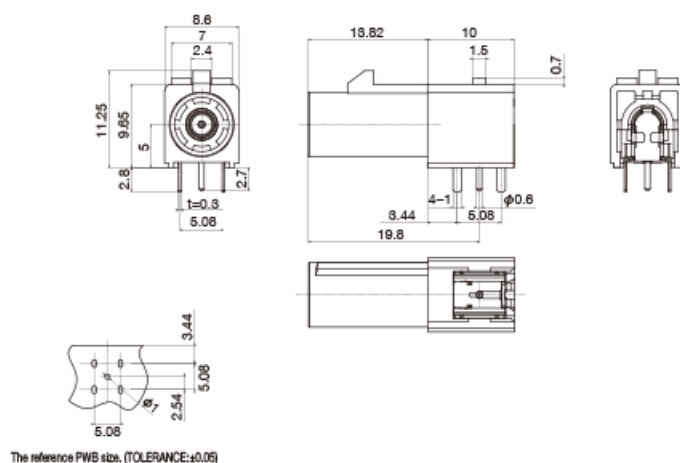
Life (Mating Cycle) : 25 times

Total Insertion Force : $\leq 25\text{N}$

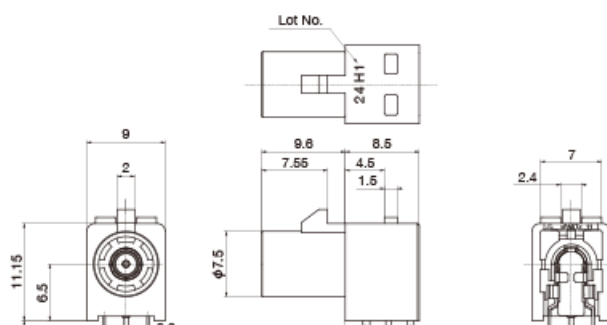
Total Withdrawal Force : $\leq 25\text{N}$

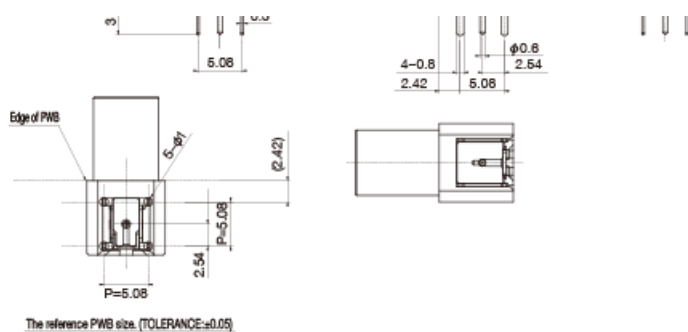
Overall View

CDM-K06



CDM-K30





Unit:mm

NOTE

*Any products mentioned in this catalog are subject to any modification in their appearance and others for improvements without prior notification.

*The details listed here are not a guarantee of the individual products at the time of ordering. When using the products, you will be asked to check their specifications.