

# CDM-K27W, CDM-J97W, CDM-K29W, CDM-K06W, CDM-K33W, CDM-L03

2023/03/22

## Features



1. Applicable to automotive antennas for radio-frequency signal transmission.
2. Include a die casting body (shell) that can contribute to the robust structure.
3. Selectable variations of mounting requirements.  
(Right angle / Straight / Standard / Low height)
4. Each coding (mating key) is available.
5. Compatible with Pin-in-Paste.
6. Compliant with RoHS Directive.

## Specifications

### Electric Characteristics

Rated Voltage : 60V DC max.

Rated Current : 1A DC max.

Characteristic Impedance : 50Ω

Insertion Loss :

0.15dB max. (0 to 1GHz)

0.25dB max. (1 to 2.5GHz)

0.35dB max. (2.5 to 4GHz)

## CDM-K27W, CDM-J97W, CDM-K29W, CDM-K06W, CDM-K33W, CDM-L03

2023/03/22

Return Loss :

15.6dB min. (0 to 2GHz)

14.0dB min. (2 to 4GHz)

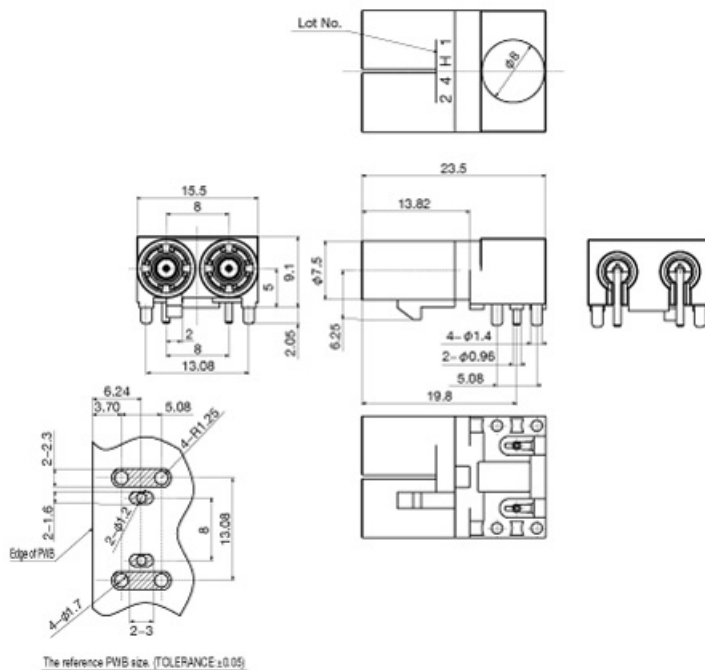
## Mechanical Characteristics

Life (Mating Cycle) : 25 times

Total Insertion Force :  $\leq 50\text{N}$ Total Withdrawal Force :  $\leq 50\text{N}$ 

## Overall View

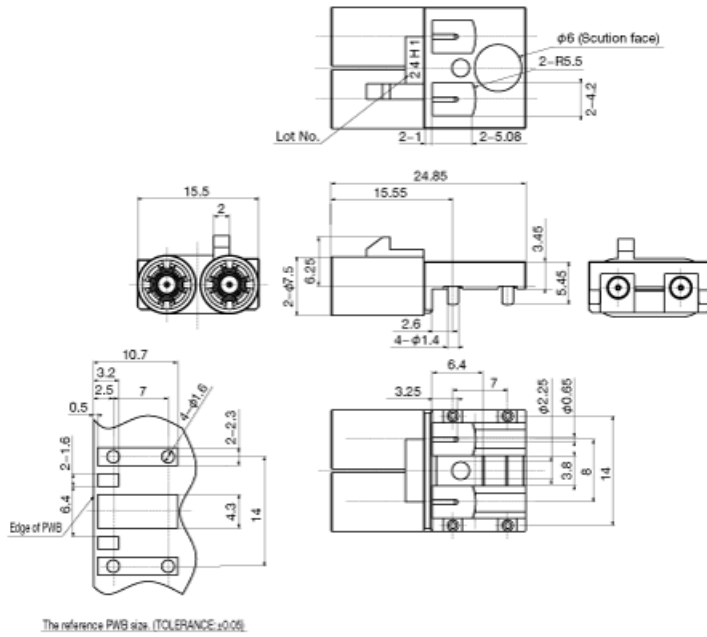
## CDM-K27W



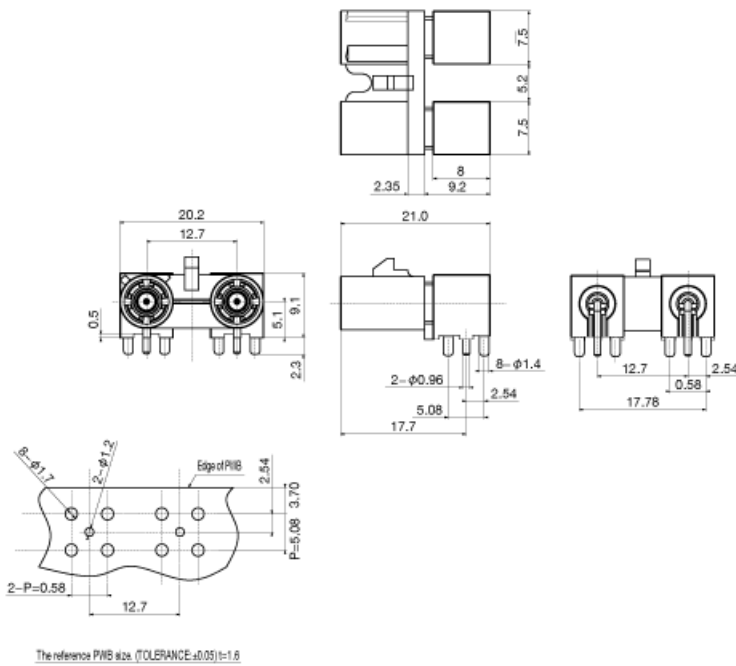
## CDM-J97W

CDM-K27W, CDM-J97W, CDM-K29W, CDM-K06W, CDM-K33W, CDM-L03

2023/03/22



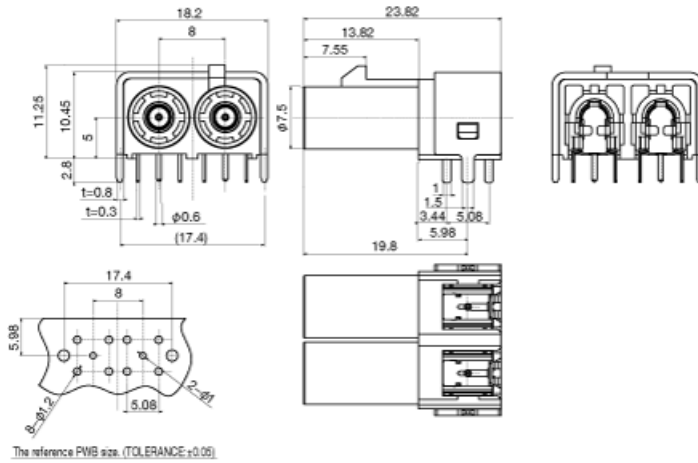
CDM-K29W



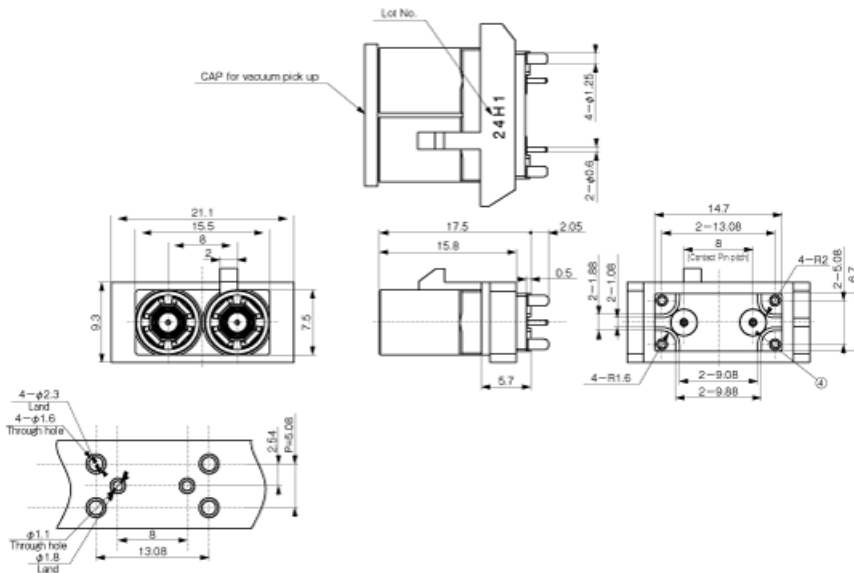
# CDM-K27W, CDM-J97W, CDM-K29W, CDM-K06W, CDM-K33W, CDM-L03

2023/03/22

## CDM-K06W



## CDM-K33W

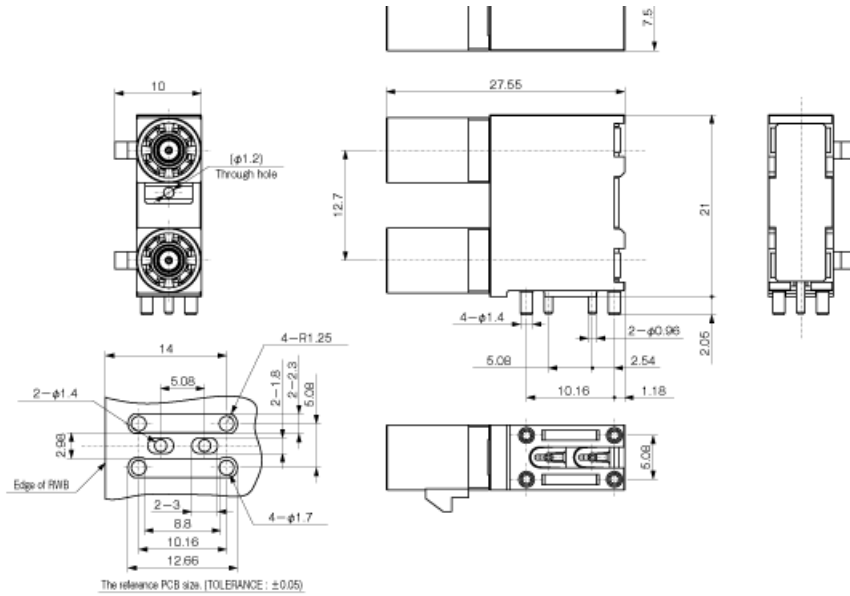


## CDM-L03



## CDM-K27W, CDM-J97W, CDM-K29W, CDM-K06W, CDM-K33W, CDM-L03

2023/03/22



Unit:mm

## NOTE

\*Any products mentioned in this catalog are subject to any modification in their appearance and others for improvements without prior notification.

\*The details listed here are not a guarantee of the individual products at the time of ordering. When using the products, you will be asked to check their specifications.