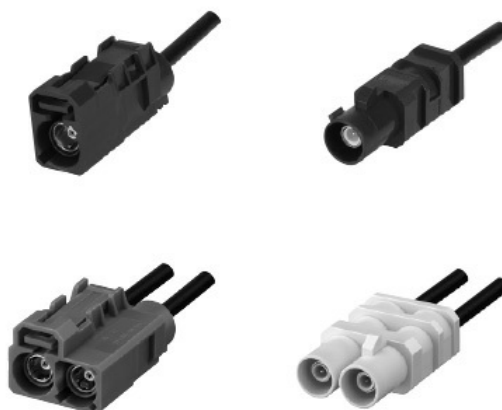


# IDM-K68, K86, K68W, K86W

2023/03/22

## Features



- 1.Applicable to automotive antennas for radio-frequency signal transmission.
- 2.Inner contact and outer contact are crimped together.
- 3.Each coding (mating key) is available.
- 4.Compliant with RoHS Directive.

## Specifications

### Electric Characteristics

Rated Voltage :60V DC max.

Rated Current :1A DC max.

Characteristic Impedance :50Ω

Insertion Loss :

0.15dB max. (0 to 1GHz)

0.25dB max. (1 to 2.5GHz)

0.35dB max. (2.5 to 4GHz)

Return Loss :

15.6dB min. (0 to 2GHz)

14.0dB min. (2 to 4GHz)

## IDM-K68, K86, K68W, K86W

2023/03/22

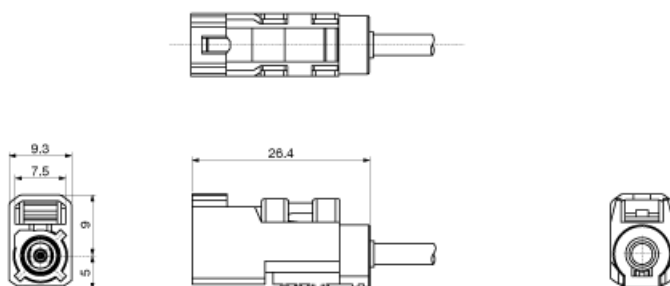
## Mechanical Characteristics

Life (Mating Cycle) : 25 times

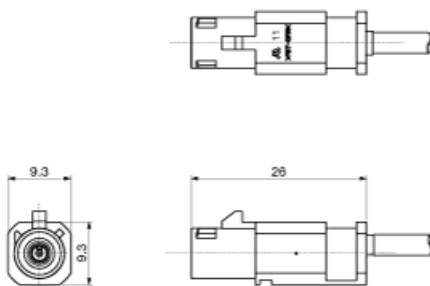
Total Insertion Force :  $\leq 25\text{N}$  (Dual type :  $\leq 50\text{N}$ )Total Withdrawal Force :  $\leq 25\text{N}$  (Dual type :  $\leq 50\text{N}$ )

## Overall View

### IDM-K68



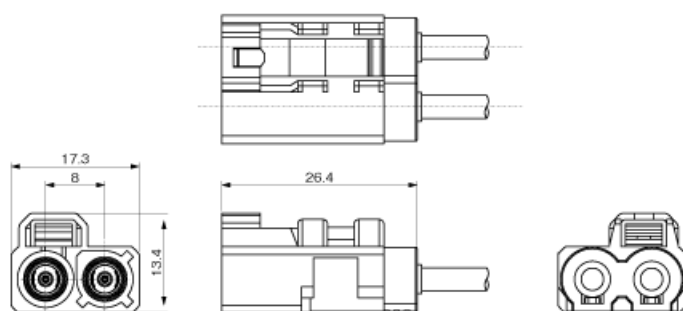
### IDM-K86



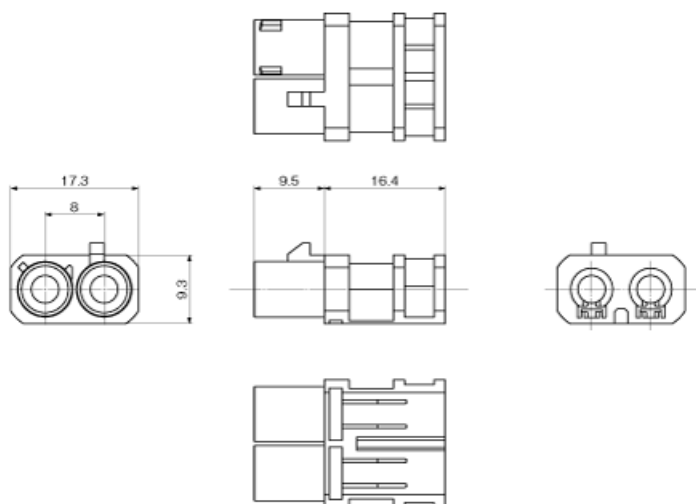
### IDM-K68W

## IDM-K68, K86, K68W, K86W

2023/03/22



## IDM-K86W



Unit:mm

## NOTE

\*Any products mentioned in this catalog are subject to any modification in their appearance and others for improvements without prior notification.

\*The details listed here are not a guarantee of the individual products at the time of ordering. When using the products, you will be asked to check their specifications.

# IDM-K68, K86, K68W, K86W

2023/03/22