

CAM-J14HN/HR, CAM-K39LN/LR

2023/03/22

Features



1. Capable of high speed data transmission such as USB2.0, LVDS, and Ethernet, etc.
2. Shell structure has made by stamping to reduce connector's weight.
3. Selectable variations of the number of power supply pins: 2pins, 4pins, and 8pins.
4. Each coding (mating key) is available.
5. Compatible with Pin-in-Paste.
6. Compliant with RoHS Directive.

Specifications

Electric Characteristics

Voltage Rating : 100V DC

Current Rating : 1.5A DC

Characteristic Impedance : 100Ω

Insertion Loss : ≤ 0.1 dB to 1GHz

Return Loss :

≤ -20 dB to 1GHz

≤ -17 dB to 2GHz

CAM-J14HN/HR, CAM-K39LN/LR

2023/03/22

Mechanical Characteristics

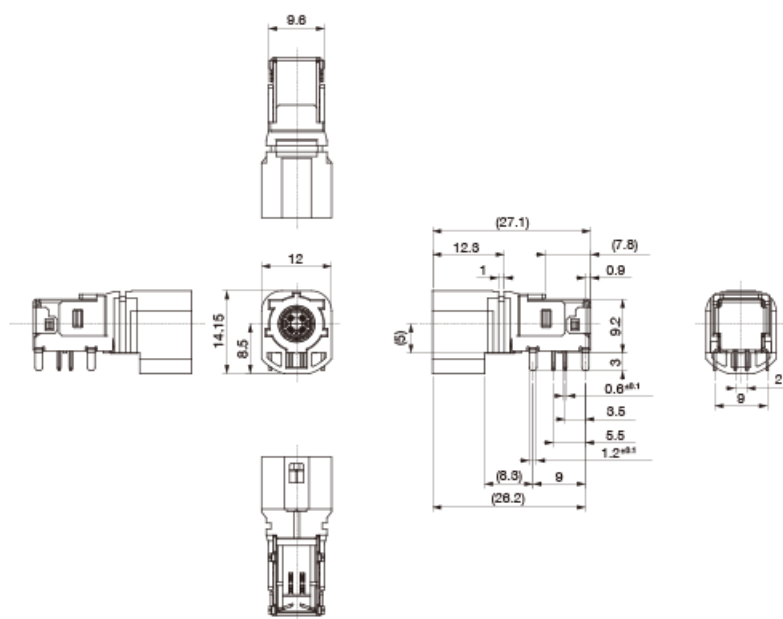
Life (Mating Cycle) : 25 times

Total Insertion Force : $\leq 30\text{N}$

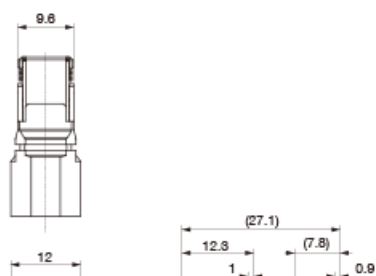
Total Withdrawal Force : 5N to 30N

Overall View

CAM-J14HN

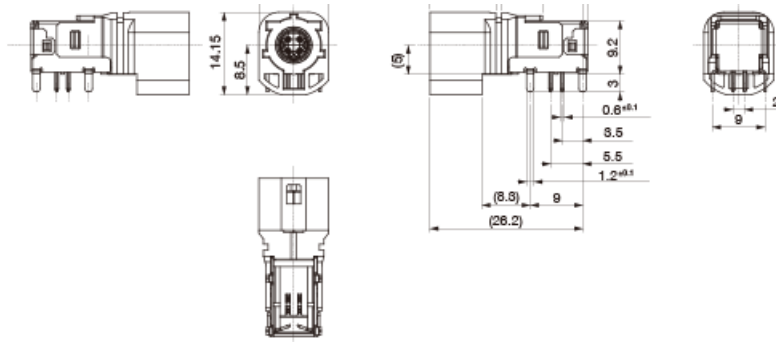


CAM-J14HR

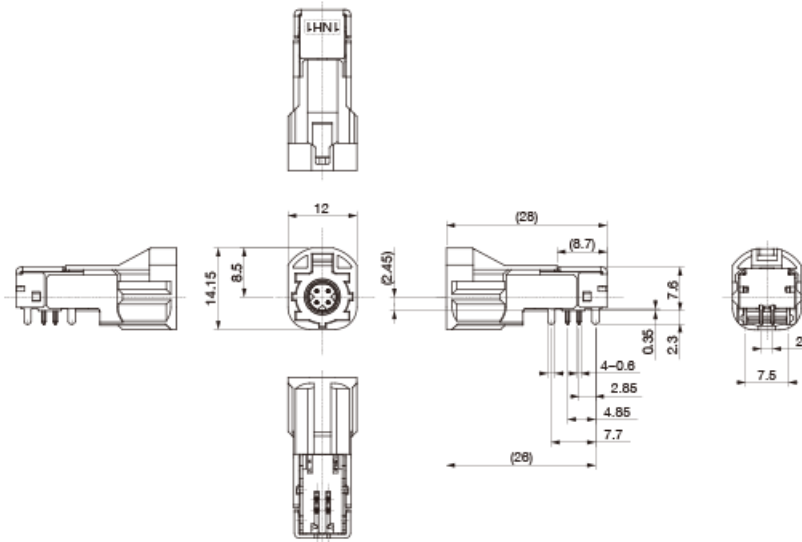


CAM-J14HN/HR, CAM-K39LN/LR

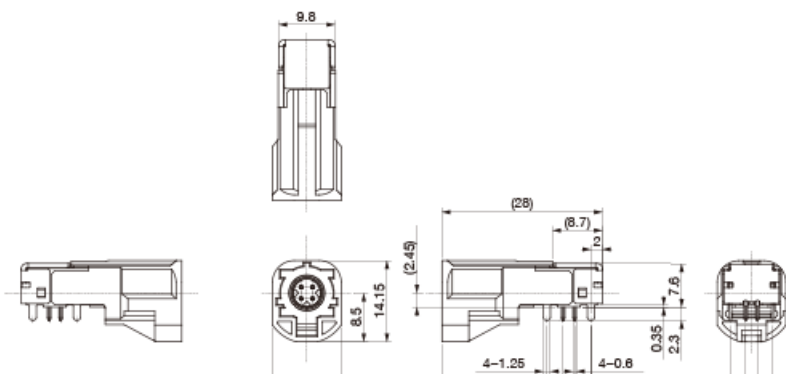
2023/03/22



CAM-K39LN

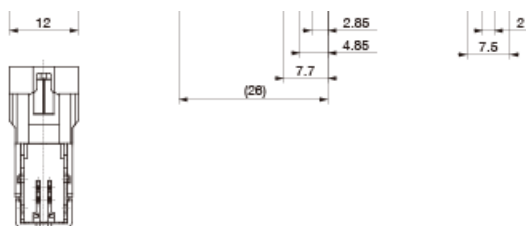


CAM-K39LR



CAM-J14HN/HR, CAM-K39LN/LR

2023/03/22



Unit:mm

NOTE

*Any products mentioned in this catalog are subject to any modification in their appearance and others for improvements without prior notification.

*The details listed here are not a guarantee of the individual products at the time of ordering. When using the products, you will be asked to check their specifications.