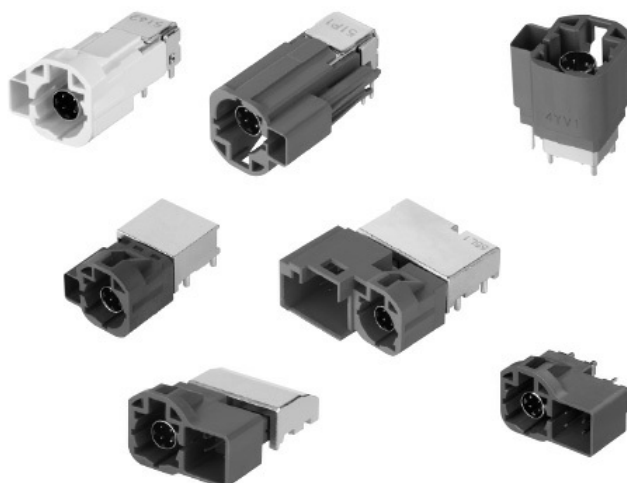


CAM-K22LN/LR, CAM-K24, CAM-K72LN, CAM-K83, CAM-K56, CAM-L44

2023/03/22

Features



1. Capable of high speed data transmission such as USB2.0, LVDS, and Ethernet, etc.
2. Power supply contacts and HSD connector are integrated. Able to meet downsizing requirements.
3. Selectable variations of the number of power supply pins: 2pins, 4pins, and 8pins.
4. Each coding (mating key) is available.
5. Compatible with Pin-in-Paste.
6. Compliant with RoHS Directive.

Specifications

Electric Characteristics

Voltage Rating : 100V DC

Current Rating : 1.5A DC

Characteristic Impedance : 100Ω

Insertion Loss : ≤ 0.1 dB to 1GHz

Return Loss :

≤ -20 dB to 1GHz

≤ -17 dB to 2GHz

CAM-K22LN/LR, CAM-K24, CAM-K72LN, CAM-K83, CAM-K56, CAM-L44

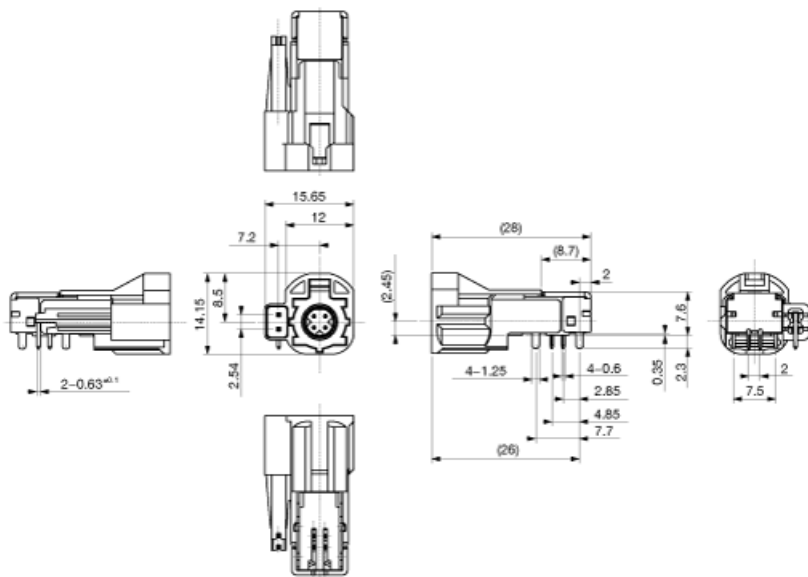
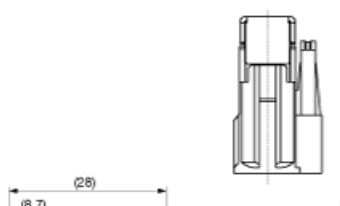
2023/03/22

Mechanical Characteristics

Life (Mating Cycle) : 25 times

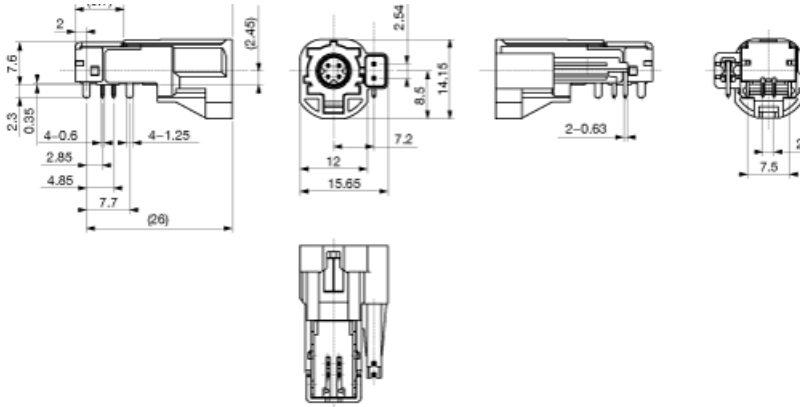
Total Insertion Force : $\leq 60\text{N}$

Total Withdrawal Force : 5N to 60N

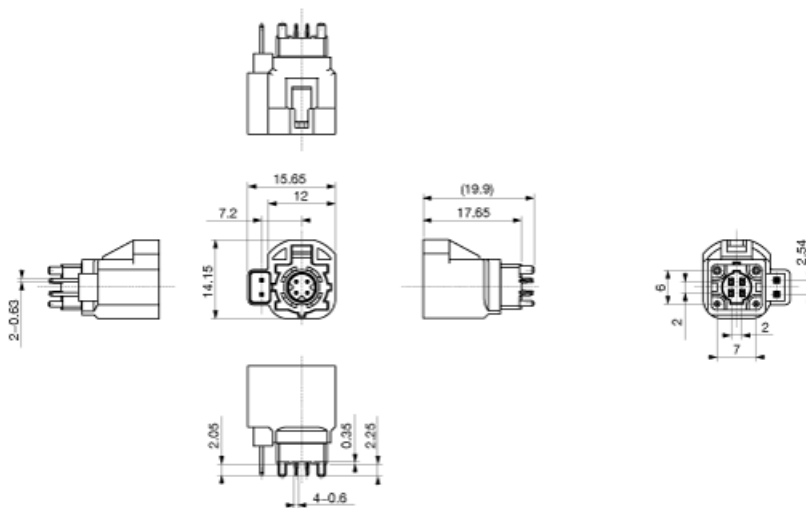
Overall View**CAM-K22LN****CAM-K22LR**

CAM-K22LN/LR, CAM-K24, CAM-K72LN, CAM-K83, CAM-K56, CAM-L44

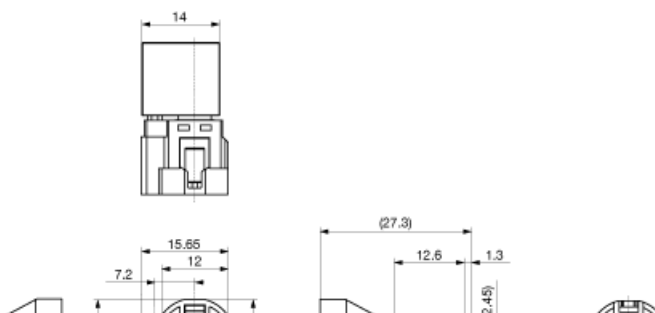
2023/03/22



CAM-K24

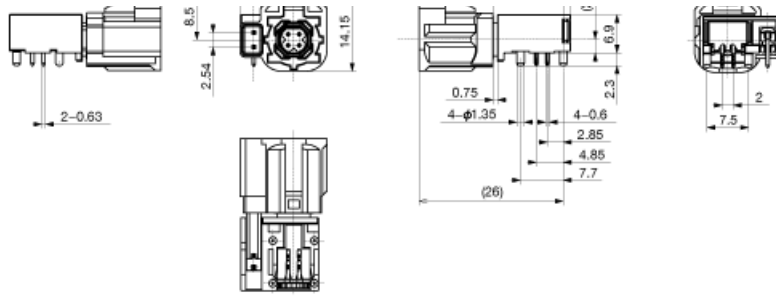


CAM-K72LN

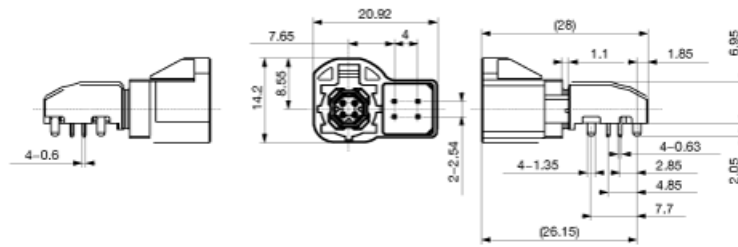


CAM-K22LN/LR, CAM-K24, CAM-K72LN, CAM-K83, CAM-K56, CAM-L44

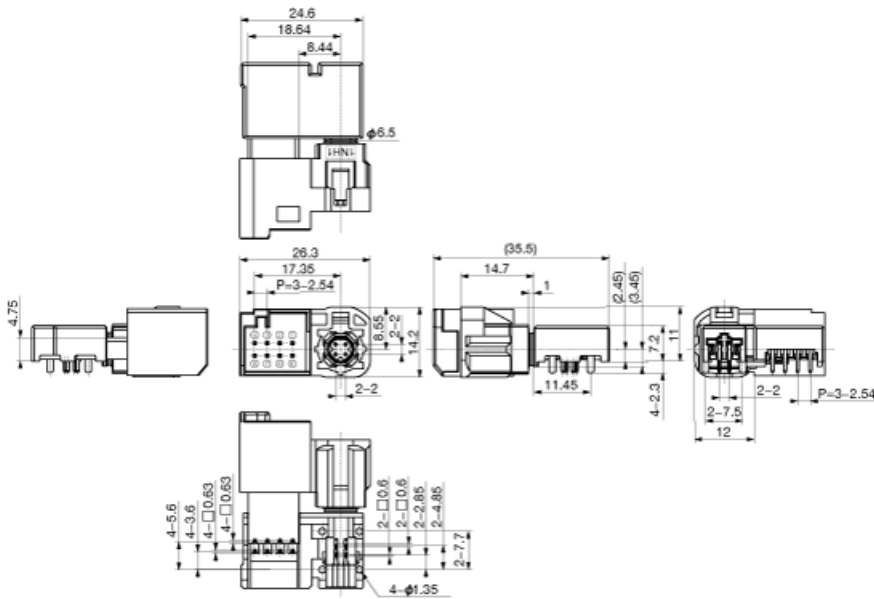
2023/03/22



CAM-K83



CAM-K56

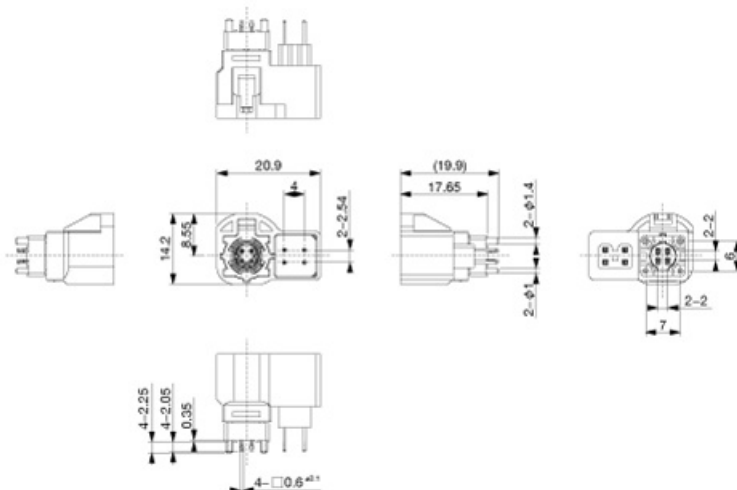


CAM-L44

CAM-K22LN/LR, CAM-K24, CAM-K72LN, CAM-K83, CAM-K56, CAM-L44

2023/03/22

CAM-L44



Unit:mm

NOTE

*Any products mentioned in this catalog are subject to any modification in their appearance and others for improvements without prior notification.

*The details listed here are not a guarantee of the individual products at the time of ordering. When using the products, you will be asked to check their specifications.