

CAM-K23HN/HR/LRS, CAM-K73LN, CAM-K23SN

2023/03/22

Features



1. Capable of high speed data transmission such as USB2.0, LVDS, and Ethernet, etc.
2. Include a die casting body (shell) that can contribute to the robust structure.
3. Selectable variations of mounting requirements. (Right angle/Straight/Standard/Low height)
4. Each coding (mating key) is available.
5. Compatible with Pin-in-Paste.
6. Compliant with RoHS Directive.

Specifications

Electric Characteristics

Voltage Rating : 100V DC

Current Rating : 1.5A DC

Characteristic Impedance : 100Ω

Insertion Loss : ≤ 0.1 dB to 1GHz

Return Loss :

≤ -20 dB to 1GHz

≤ -17 dB to 2GHz

CAM-K23HN/HR/LRS, CAM-K73LN, CAM-K23SN

2023/03/22

Mechanical Characteristics

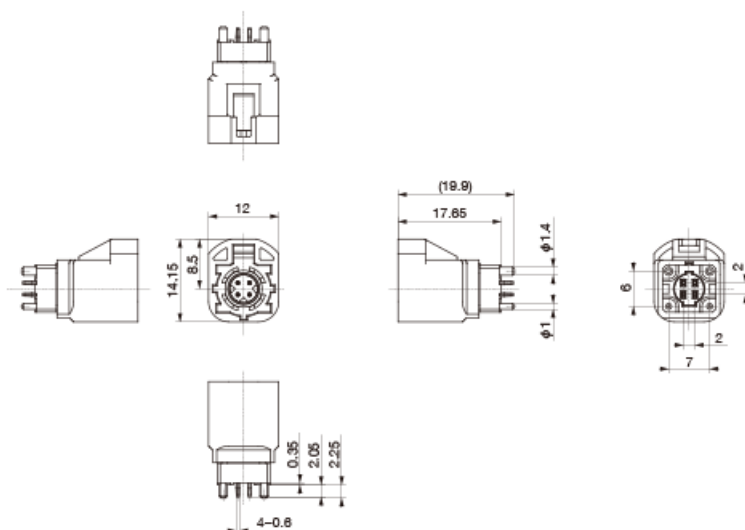
Life (Mating Cycle) : 25 times

Total Insertion Force : $\leq 30\text{N}$

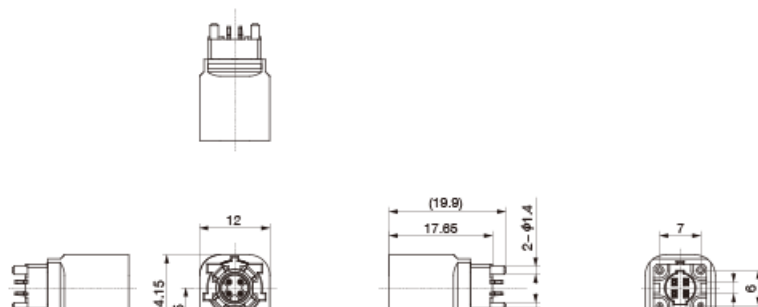
Total Withdrawal Force : 5N to 30N

Overall View

CAM-K23HN

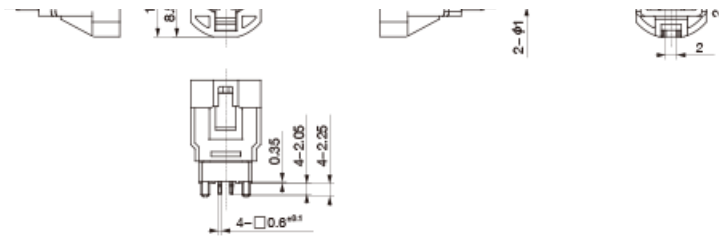


CAM-K23HR

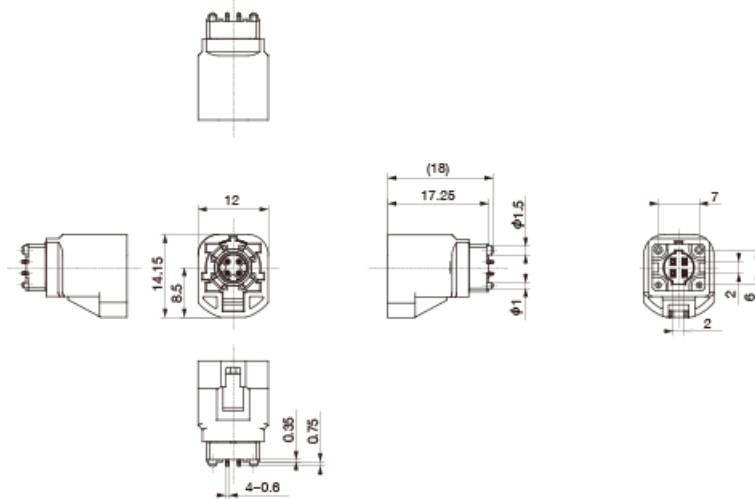


CAM-K23HN/HR/LRS, CAM-K73LN, CAM-K23SN

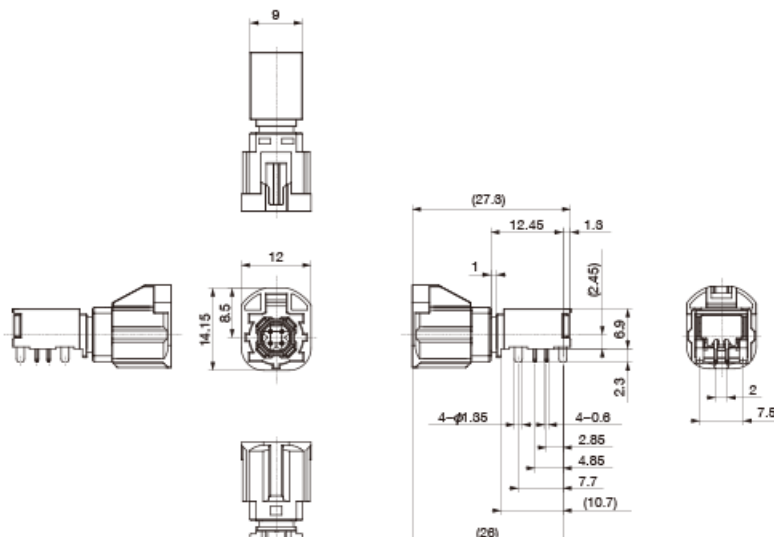
2023/03/22



CAM-K23LRS



CAM-K73LN



ミネベアミツミ株式会社

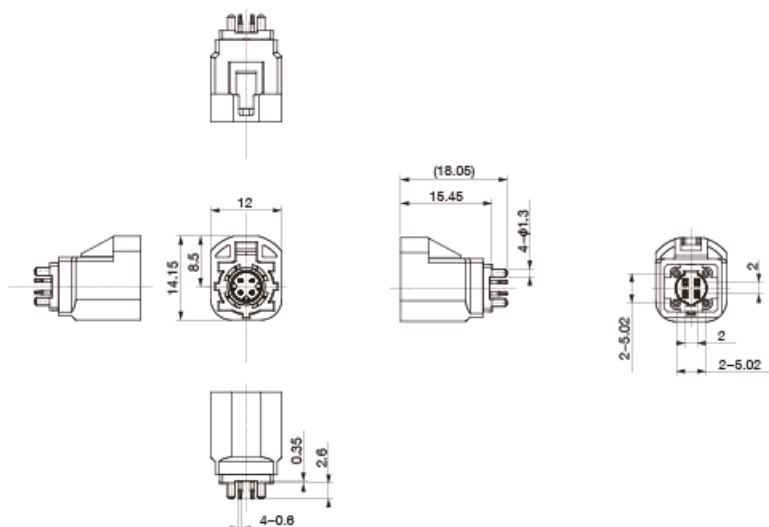
Copyright©MinebeaMitsumi Inc. All right reserved.

CAM-K23HN/HR/LRS, CAM-K73LN, CAM-K23SN

2023/03/22



CAM-K23SN



Unit:mm

NOTE

*Any products mentioned in this catalog are subject to any modification in their appearance and others for improvements without prior notification.

*The details listed here are not a guarantee of the individual products at the time of ordering. When using the products, you will be asked to check their specifications.