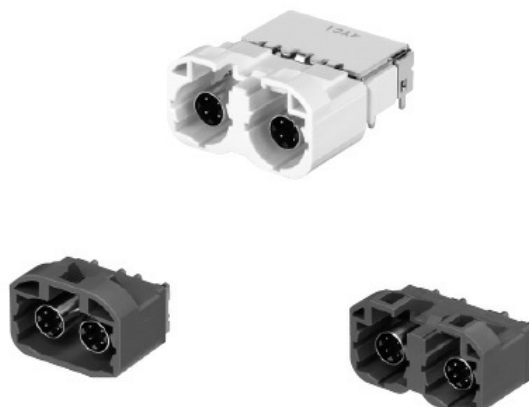


Features



1. Capable of high speed data transmission such as USB2.0, LVDS, and Ethernet, etc.
2. Double HSD connector which is able to meet downsizing requirements.
3. Double 12.7mm is available.
4. Each coding (mating key) is available.
5. Compatible with Pin-in-Paste.
6. Compliant with RoHS Directive.

Specifications

Electric Characteristics

Voltage Rating : 100V DC

Current Rating : 1.5A DC

Characteristic Impedance : 100Ω

Insertion Loss : ≤ 0.1 dB to 1GHz

Return Loss :

≤ -20 dB to 1GHz

≤ -17 dB to 2GHz

Mechanical Characteristics

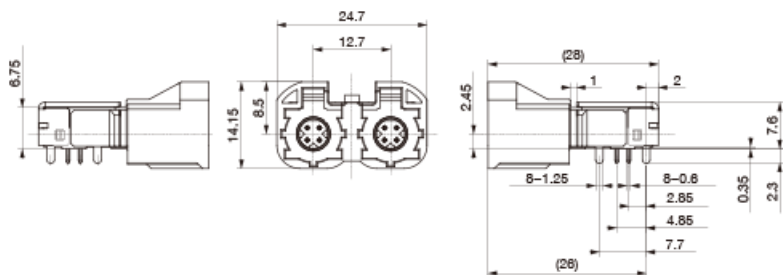
Life (Mating Cycle) : 25 times

Total Insertion Force : $\leq 60\text{N}$

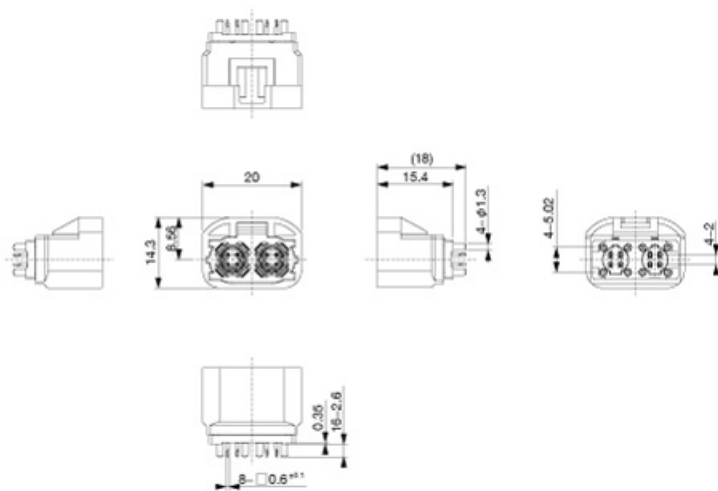
Total Withdrawal Force : 5N to 60N

Overall View

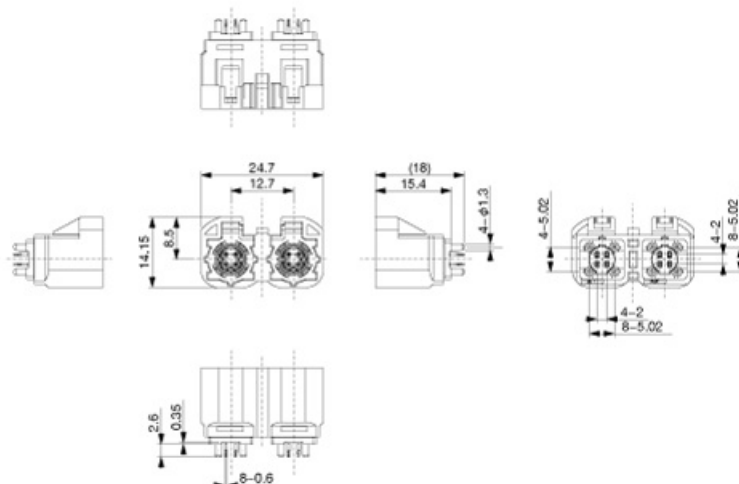
CAM-K58



CAM-L68



CAM-L48



Unit:mm

NOTE

*Any products mentioned in this catalog are subject to any modification in their appearance and others for improvements without prior notification.

*The details listed here are not a guarantee of the individual products at the time of ordering. When using the products, you will be asked to check their specifications.