

IAM-K88, K87, J15U/L/R/AP2, K87SP2, L53, L69, L54

2023/03/22

Features



1. Capable of high speed data transmission such as USB2.0, LVDS, and Ethernet, etc.
2. Selectable variations of mounting requirements. (Straight type / Angle type.)
3. Each coding (mating key) is available.
4. Compliant with RoHS Directive.

Specifications

Electric Characteristics

< IAM-K88/K87/AP2/L53/L54 (Straight type) >

Rated Voltage : 100V DC

Rated Current : 1.5A DC

Characteristic Impedance : 100Ω

Insertion Loss : ≤0.1dB to 1GHz

Return Loss :

≤-20dB to 1GHz

≤-17dB to 2GHz

< IAM-J15U/L/R/AP2/L69 (Angle type) >

**IAM-K88, K87, J15U/L/R/AP2, K87SP2, L53, L69,
L54**

2023/03/22

Rated Voltage : 100V DC

Rated Current : 1.5A DC

Characteristic Impedance : 100Ω

Insertion Loss : ≤ 0.01 dB to 500MHz

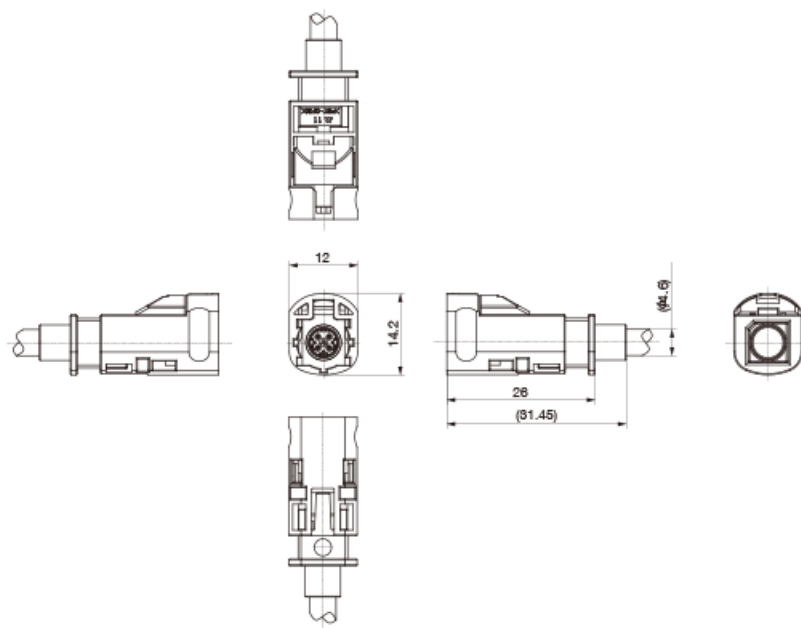
Return Loss :

 ≤ -25 dB to 100MHz ≤ -15 dB to 500MHz ≤ -10 dB to 1GHz**Mechanical Characteristics**

Life (Mating Cycle) : 25 times

Total Insertion Force : ≤ 30 N

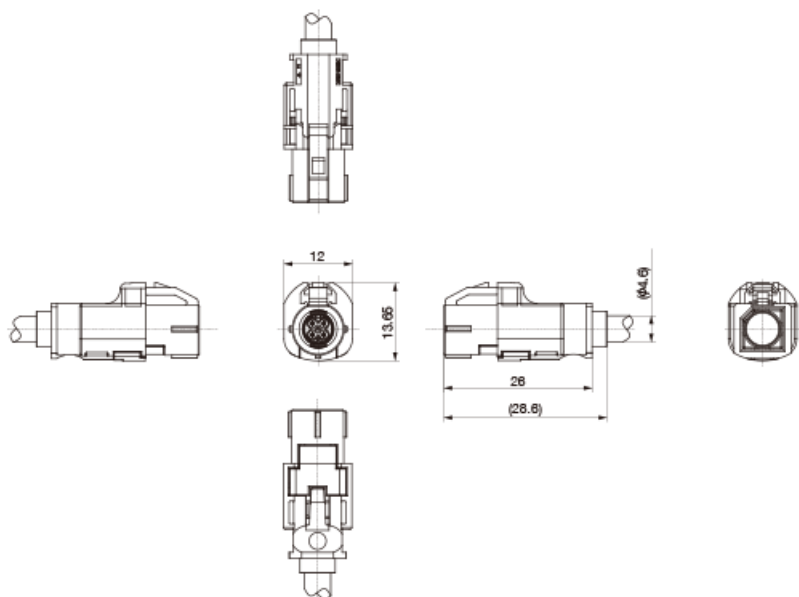
Total Withdrawal Force : 5N to 25N

Overall View**IAM-K88**

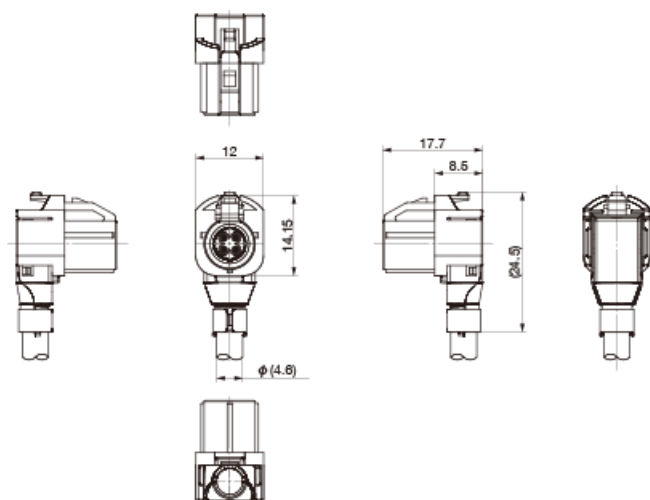
IAM-K88, K87, J15U/L/R/AP2, K87SP2, L53, L69, L54

2023/03/22

IAM-K87



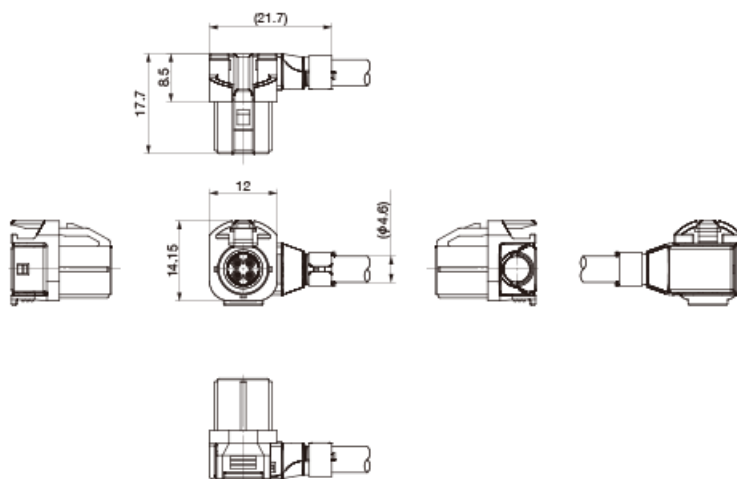
IAM-J15U



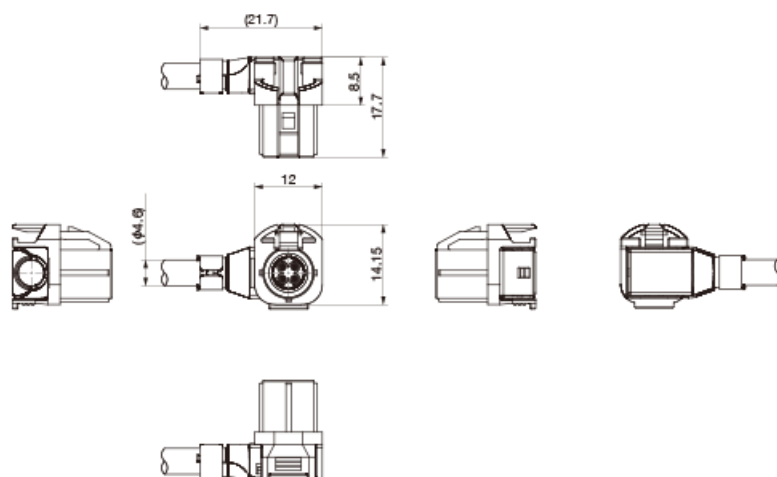
IAM-J15L

IAM-K88, K87, J15U/L/R/AP2, K87SP2, L53, L69, L54

2023/03/22



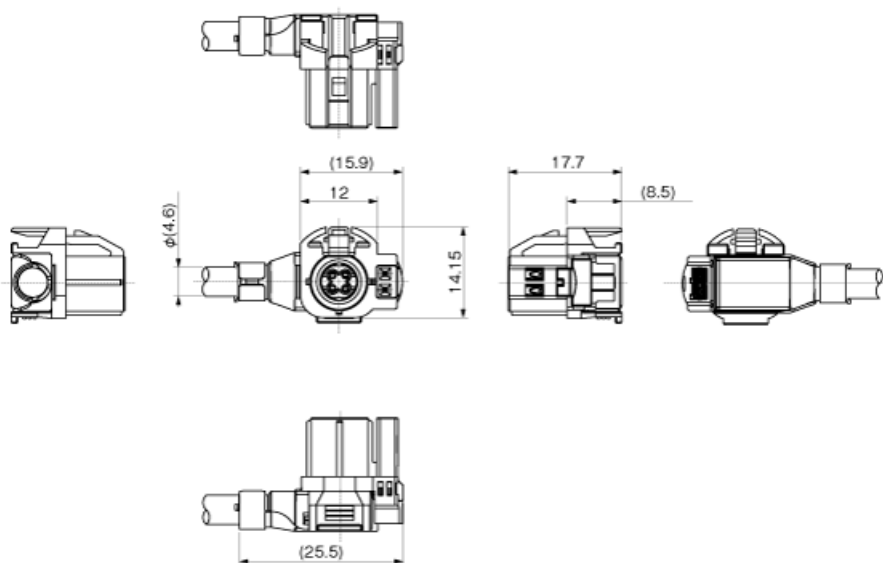
IAM-J15R



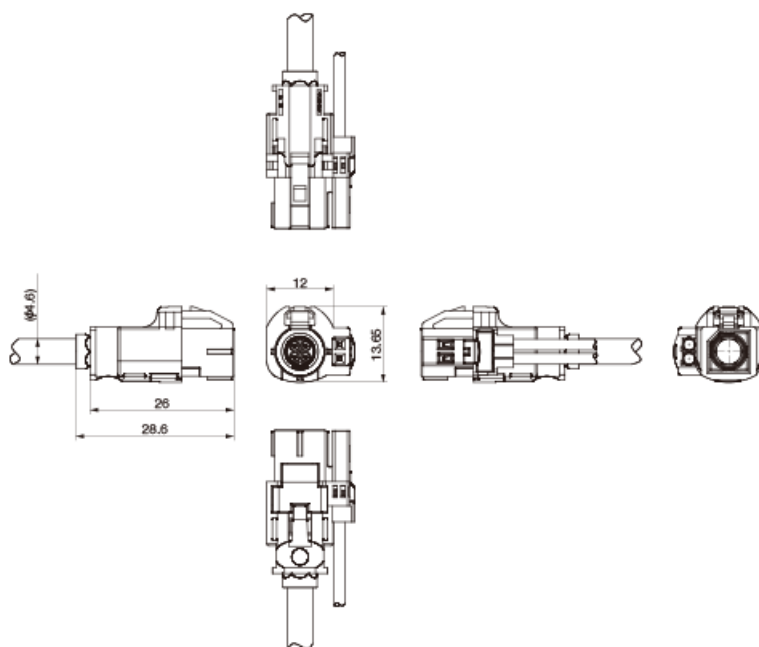
IAM-J15AP2

IAM-K88, K87, J15U/L/R/AP2, K87SP2, L53, L69, L54

2023/03/22



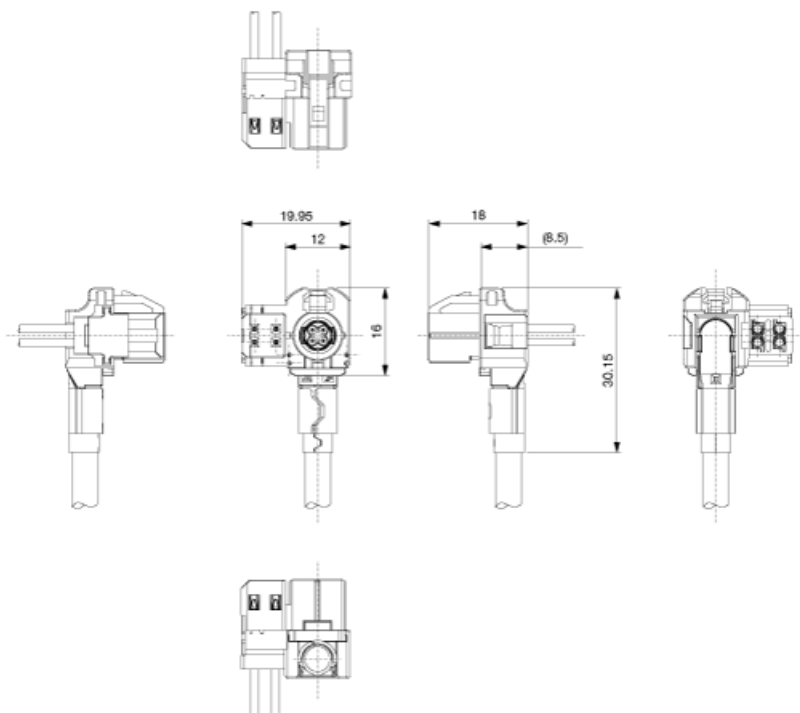
IAM-K87SP2



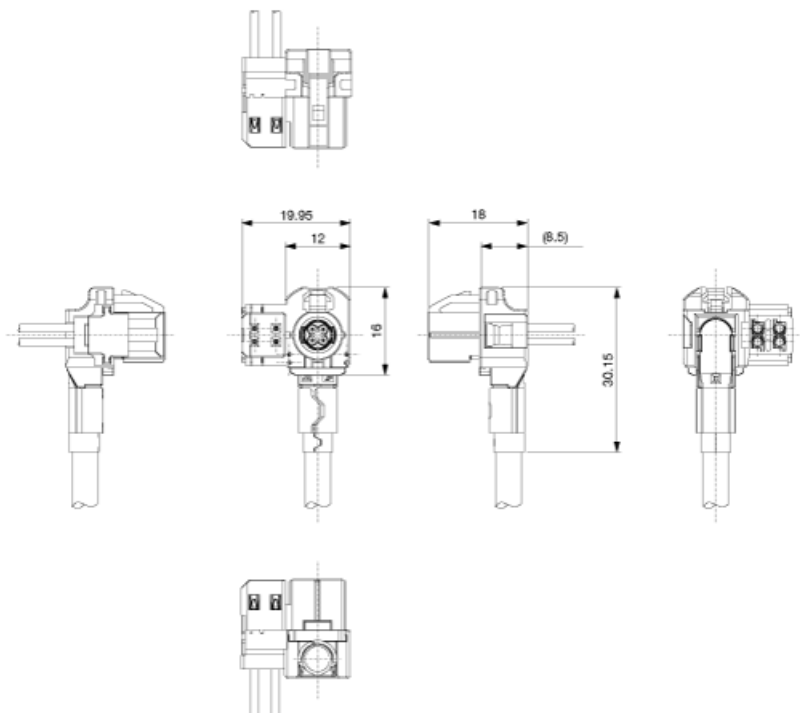
IAM-L53

IAM-K88, K87, J15U/L/R/AP2, K87SP2, L53, L69, L54

2023/03/22



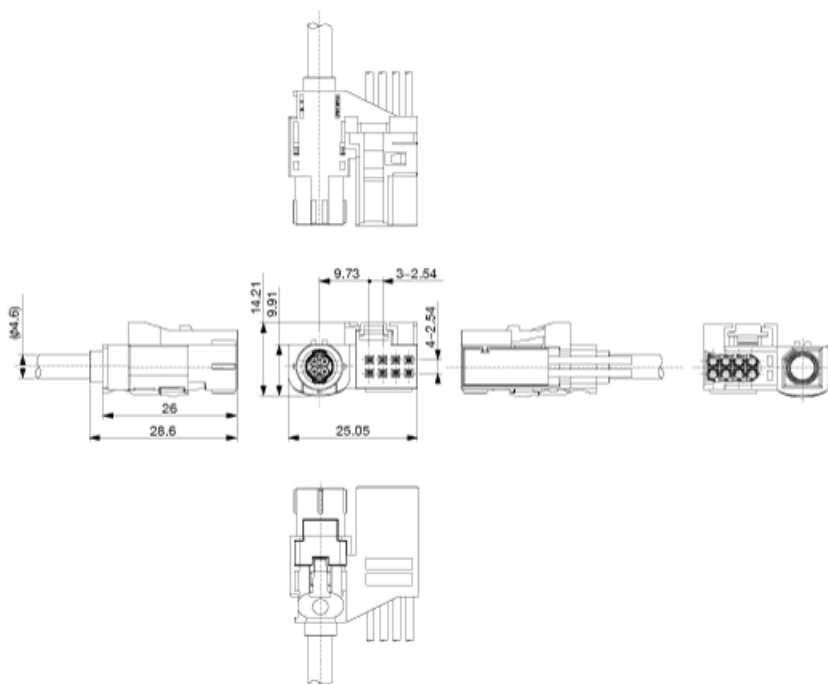
IAM-L69



IAM-K88, K87, J15U/L/R/AP2, K87SP2, L53, L69,
L54

2023/03/22

IAM-L54



Unit:mm

NOTE

*Any products mentioned in this catalog are subject to any modification in their appearance and others for improvements without prior notification.

*The details listed here are not a guarantee of the individual products at the time of ordering. When using the products, you will be asked to check their specifications.